

2P018568

第3角法
3RD ANGLE PROJECTION

適合規格
AS303004
AS30013

冷媒圧受
ケナイ部品
DP28 1
DP34 2
DP49 3
ソノ他圧カ 9

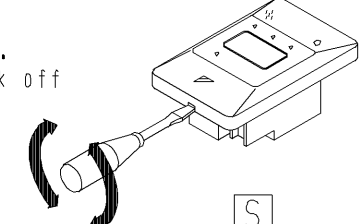
※※コノ部品ノ構成個数ヲ記入 NUMBERS REQUIRED ON THIS DRAWING ※改正記号ハ部品区分材料表ニヨル最新ノモノニヨルコト SEE THE PARTS LIST FOR THE LATEST DWG. NO. 補用対象部品ニハ〇印ヲ付与スル CIRCLE THE PARTS WHICH ARE USED AS SPARE PARTS

部品番 ITEM NO.	部品管理 記号 ITEM MARK	名称 PART NAME	材質 MATERIAL	※※一式 分個数 QUANT.	※図面番号 DWG. NO.	記 REMARK	補 CM 用
1		ワイヤレスリモコン取付説明書 WIRELESS REMOTE CONTROLLER INSTALLATION MANUAL	上質紙 WOOD FREE PAPER	1	本図ニヨル THIS DWG.	55kg/連 55kg/REAM	2

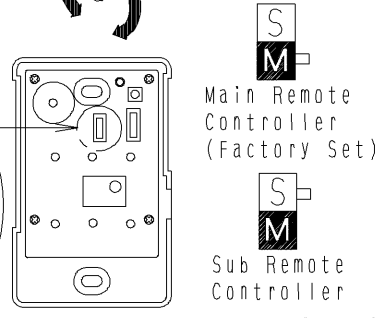
WIRELESS REMOTE CONTROLLER MOUNTING INSTRUCTIONS

＜ Caution ＞
 ・ Do not install more than 3 receivers in the vicinity of one another.
 ・ With 4 or more units, there is always the possibility of malfunction.

1. Remove the upper part of receiver.
 ・ Insert the screwdriver here and gently work off the upper part of the receiver.



2. Initial setting
 Change the MAIN/SUB changeover switch
 (When using both a wired and a wireless remote controller for 1 indoor unit, the wired controller should be set to MAIN. And the wireless remote controller should be set to SUB.)

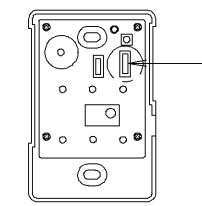


NOTES
 ・ If controlling with one remote controller, be sure to set it to 'MAIN'
 ・ Set the remote controller before turning power supply on.

3. Address setting
 ・ If setting multiple wireless remote controllers to operate in one room, perform address setting for the receiver and the wireless remote controller.

Setting the receiver (It is factory set to '1')
 Referring to the table below, set the wireless address switch (SS2) on the PC board.

Unit No.	NO. 1	NO. 2	NO. 3
Wireless address switch (SS2)	1 2 3	1 2 3	1 2 3



Setting the address of wireless remote controller (It is factory set to '1')
 <Setting from the remote controller>

- Hold down the **TEST** button and the **MODE** button for at least 4 seconds to get the Field Set mode, (indicated in the display area in the figure at right).
- Press the **FAN** button and select a multiple setting(A/b). Each time the button is pressed the display switches between "A" and "b".
- Press the **UP** button and **DOWN** button to set the address. Address can be set from 1 to 6, but set it to 1~3 and to same address as the receiver. (The receiver does not work with address 4~6.)
- Press the **RESERVE** button to enter the setting.
- Hold down the **TEST** button for at least 1 second to quit the Field Set mode and return to the normal display.

PRECAUTIONS

Set the Unit NO. of the receiver and the wireless remote controller to be equal. If the settings differs, the signal from the remote controller cannot be transmitted.

(Multiple setting A/b)

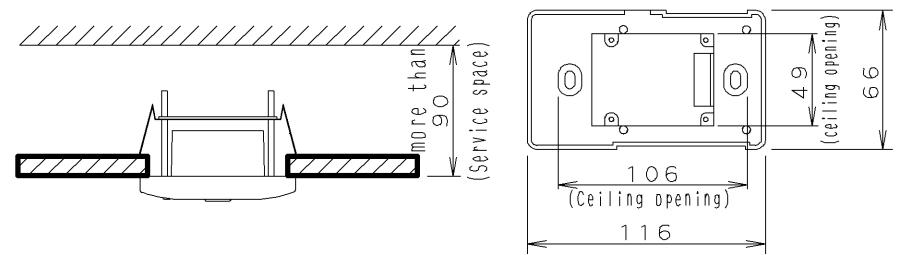
When the indoor unit is being operating by outside control (central remote controller, etc.), it sometimes does not respond to ON/OFF and temperature setting commands from this remote controller. Check what setting the customer wants and make the multiple setting as shown below.

Remote controller		Indoor unit	
Multiple setting	Remote controller display	To control other air conditions and units	For other than on left
A: Standard	All items displayed.	Commands other than ON/OFF and temperature setting accepted, (1 LONG BEEP or 3 SHORT BEEPS emitted)	
b: Multi System	Operations remain displayed shortly after execution.	All commands accepted (2 SHORT BEEPS)	

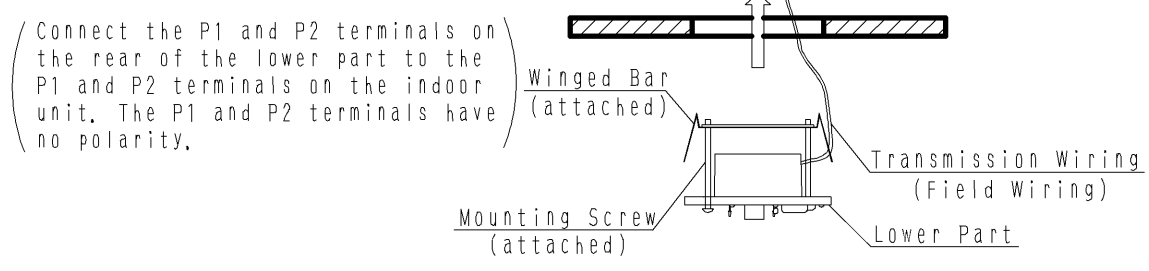
SAFETY CONSIDERATIONS
 Please read this "SAFETY CONSIDERATIONS" carefully before installing air conditioning equipment and be sure to install it correctly. After completing the installation, make sure at start up operation that the unit operates properly. Please instruct the customer how to operate the unit and keep maintenance.

For ceiling installation

1. Prepare the ceiling for the receiver.
 Open a hole in the ceiling for the receiver. (Use the provided ceiling installation pattern.)



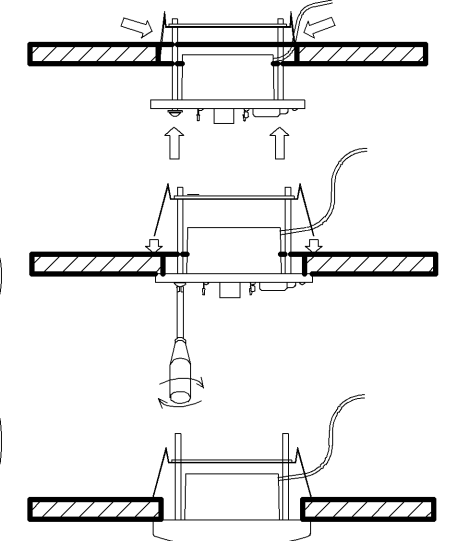
2. Wire the indoor unit and fix the lower part.
 ・ Install the winged bar to the lower part and fit the part with the attached screws, then, wire (field supplied) accordingly.



・ Insert the lower part into the opening in the ceiling, first by pressing the wings inward to fit the hole and then by pushing from the screws until it sits flat on the ceiling.

・ Tighten the screws until the lower part is fixed in place.
 (Tighten both screws evenly. Overtightening may deform the case and possibly make it harder to install the upper part.)

・ Rettach the upper part of receiver.
 (Install the upper part on the lower part being careful parts are facing in the correct direction. And, test the emergency run button.)

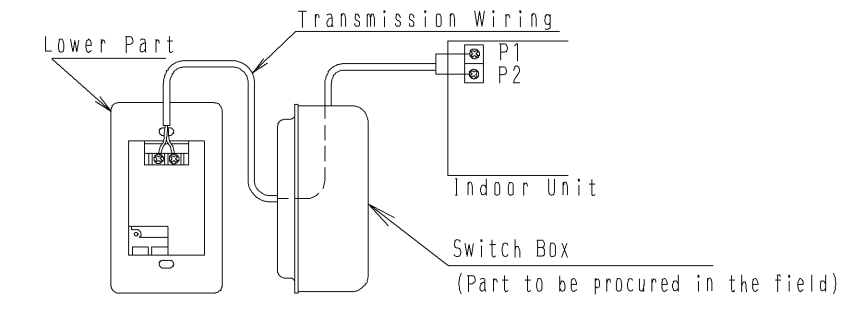


CAUTION

- Confirm that following conditions are satisfied prior to installation.
- Ensure that nothing interrupts the operation of the wireless remote controller. (Ensure that there is neither a source of light nor fluorescent lamp near the receiver. Also, ensure that the receiver is not exposed of direct sun light.)
- Ensure that the operation display lamp and other indicators are easy to see.

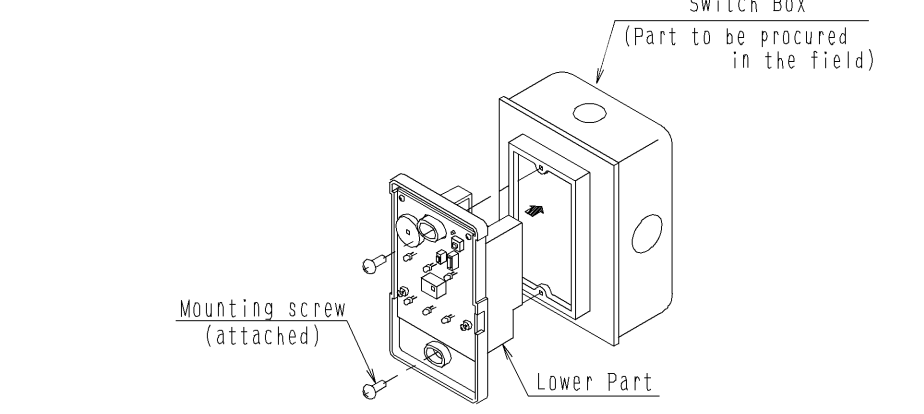
For wall mounting

1. Wire the indoor unit



(Connect the P1 and P2 terminals on the rear of the lower part to the P1 and P2 terminals on the indoor unit. Neither of the terminals is polarized, so it is not important if connections are crossed.)

2. Fix the lower part.
 ・ Install the lower part on the switch box (field supplied part). (Select as flat a place as possible to install the lower part. Also, be aware of the fact that overtightening the screws (attached) may deform the case and possibly make it harder to install the upper part.)



3. Rettach the upper part of remote controller.
 (Install the upper part on the lower part being careful parts are facing in the correct direction. And, test the emergency run button.)

NOTES
 1. The switch box and wiring are not included.
 2. Do not directly touch the PC board with your hand.

< Precautions on transmission wiring >

- When wiring, run the wiring away the power supply wiring in order to avoid receiving electric noise (external noise)
- When wiring, refer to the wiring diagram of indoor unit (attached to indoor unit) as well.

WIRING SPECIFICATION

Wiring type	Sheathed wire (2 wire)
Size	0.75~1.25mm ²
Wiring length	max 200m (See Note 1)

NOTE)
 1. Keep wires to less than 200m total when using 2 remote controller (wired or wireless) and when not.

- 注)
- 紙ノ大キサハ、420×297トスルコト。
 - 文字色ハ、黒色トスルコト。
 - 本図ニ対シテハ、版下ヲ提供スル。
 - 指示ナキ箇所ハAS303004、AS30013ニヨルコト。

NOTES)
 1. SIZE OF PAPER: 420×297 (A3 SIZE)
 2. USE BLACK COLOR FOR ALL OF LETTERS AND ILLUSTRATIONS.
 3. BLOCK COPY WILL BE SUPPLIED.
 4. SEE AS303004、AS30013 (LATEST) UNLESS OTHERWISE SPECIFIED.

△ B	..	
級 補用互: 有・無		
△ B	..	
級 補用互: 有・無		
△ B	..	
級 補用互: 有・無		
△ B	..	
級 補用互: 有・無		

BRC4C62
 ワイヤレスリモコン取付説明書
 WIRELESS REMOTE CONTROLLER
 INSTALLATION MANUAL

作図沿革
DESIGNED
DAIKIN INDUSTRIES LTD
DAIKIN INDUSTRIES LTD
承認
照査
DESIGNED
SCALE
設計
製図
DRAWN
試作・生産

作成日 DATE YR 98 MO 1 DA 20
 部品コード PART CODE J942500

2P018568

共用先	設	区	配布
住	本		
汎	本		
セ	本		
圧	開		
登	録	DAPICS	
⑩	・	10・20・50・60・70	
配	布	先	
①	・	G・N・S・包	
合	計		

指示ナキ箇所ノ公差
TOLERANCE NOT
INDICATED AS303004

塗	装	所	塗	装	種	地	工	程	仕	上	色	艶	塗	装	(マ	タ	ハ	備	考)
PLACE	PAINT	FOUND	PROCESS	COLOR	GLOSS	REMARK													