

technical data

BS box
BSVQ-P8B

air conditioning systems

R-410A

VRV III

2a

TABLE OF CONTENTS

BSVQ100-250P8B

1	Specifications	2
	Technical Specifications	2
	Electrical Specifications	2
2	Safety device settings	3
3	Options	3
4	Dimensional drawing & centre of gravity	4
	Dimensional drawing	4
	Centre of gravity	6
5	Piping diagram	7
6	Wiring diagram	8
	Wiring diagram	8
7	Sound data	9
	Sound pressure spectrum	9

1 Specifications

1-1 TECHNICAL SPECIFICATIONS				BSVQ100PV18	BSVQ160PV18	BSVQ250PV18
Power input (nominal)	Cooling		kW	0.005	0.005	0.005
	Heating		kW	0.005	0.005	0.005
Casing	Material			Galvanised steel		
Dimensions	Unit	Height	mm	207	207	207
		Width	mm	388	388	388
		Depth	mm	326	326	326
Weight	Unit		kg	14.0	14.0	15.0
Outdoor Unit	Liquid (OD)	Type		Braze connection		
		Diameter	mm	9.5	9.5	9.5
	Gas	Type		Braze connection		
		Diameter	mm	15.9	15.9	22.2
	Discharge Gas	Type		Braze connection		
		Diameter	mm	12.7	12.7	19.1
Indoor Units	Liquid (OD)	Type		Braze connection		
		Diameter	mm	9.5	9.5	9.5
	Gas	Type		Braze connection		
		Diameter	mm	15.9	15.9	22.2
Sound absorbing thermal insulation material				Foamed polyurethane, Frame resisting needle felt		
Standard Accessories	Item			Installation manual		
				Attached piping		
				Insulation pipe cover		
				Clamps		
Notes				In case of connection with a 20~50 type indoor unit, match to the size of the field pipe using the attached pipe. Connection between the attached pipe and the field pipe must be brazed.	In case of connecting with indoor unit capacity index 150 or more and 160 or less, match to the size of the field pipe using the attached pipe. Connection between the attached pipe and the field pipe must be brazed.	In case of connecting with a 200 type indoor unit or capacity index more than 160 and less than 200, match to the size of the field pipe using the attached pipe. Connection between the attached pipe and the field pipe must be brazed.

1-2 ELECTRICAL SPECIFICATIONS				BSVQ100PV18	BSVQ160PV18	BSVQ250PV18
Power Supply	Phase			1~		
	Frequency		Hz	50	50	50
	Voltage		V	220-240		
Voltage range	Minimum		V	-10%		
	Maximum		V	+10%		
Total circuit	Minimum circuit amps (MCA)		A	0.1	0.1	0.1
	Maximum Fuse Amps		A	15	15	15
Notes				Voltage range : units are suitable for use on electrical systems where voltage supplied to unit terminal is not below or above listed range limits		
				Maximum allowable voltage range variation between phases is 2%		
				MCA / MFA : MCA = 1.25 x FLA		
				MFA is smaller than or equal to 4 x FLA		
				Next lower standard fuse rating minimum 15A		
				Select wire size based on MCA		
				Instead of a fuse, use a circuit breaker		

2 Safety device settings

BSVQ-P8	100	160	250
PC BOARD FUSE	250V 3.15A		
4D057956A			

3 Options

BSVQ100-250P8

OPTION LIST

No	Item	BSVQ100P	BSVQ160P	BSVQ250P
1	PCB for multi tenant		DTA114A61	

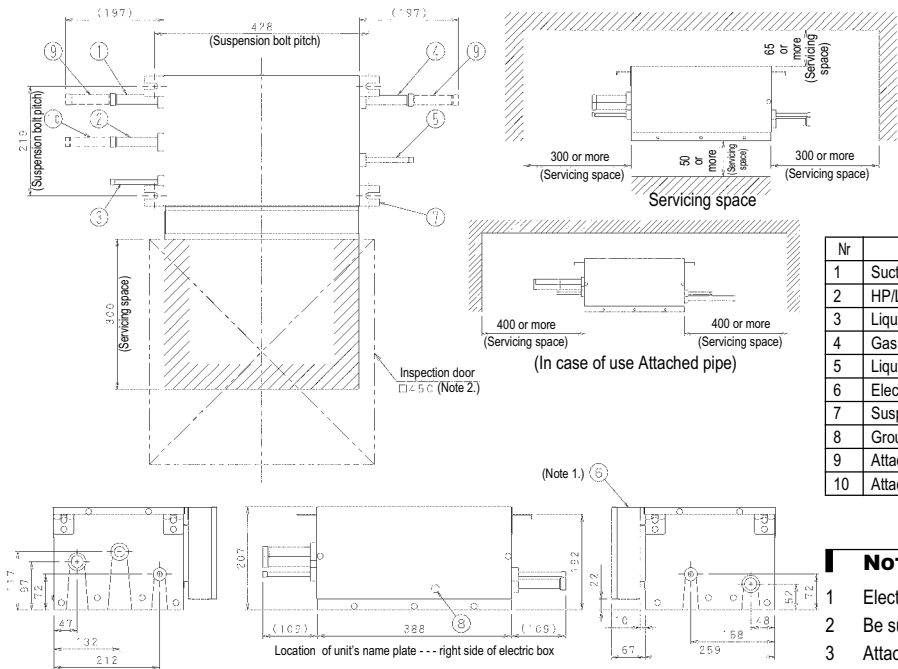
4TW31159-1

NOTE
All options are kits.

4 Dimensional drawing & centre of gravity

4 - 1 Dimensional drawing

BSVQ250PV1



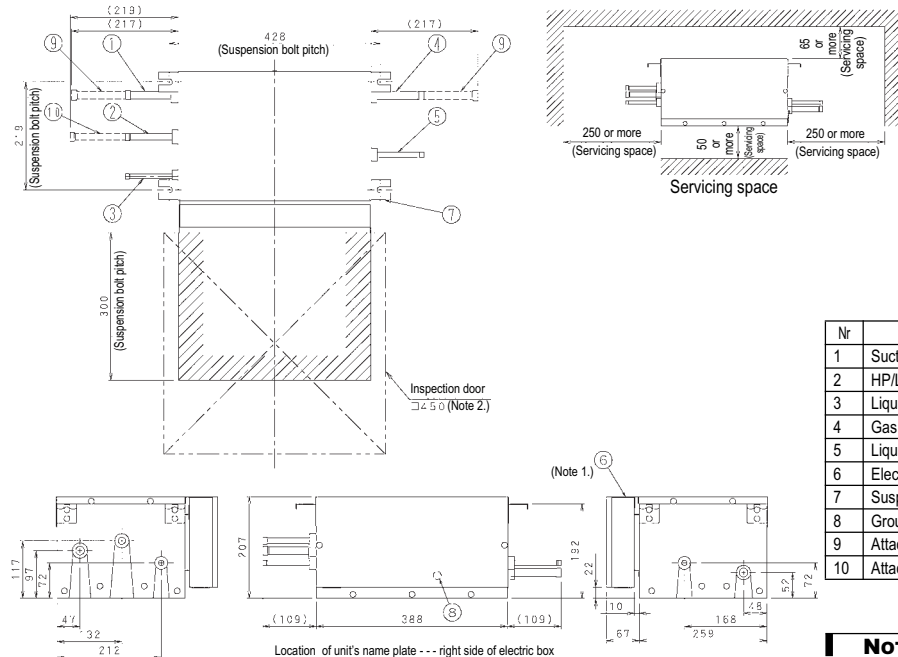
Nr	Name	Description
1	Suction gas pipe connection port	ø22.2mm brazing connection
2	HP/LP gas pipe connection port	ø19.1mm brazing connection
3	Liquid pipe connection port	ø9.5mm brazing connection
4	Gas pipe connection port	ø22.2mm brazing connection
5	Liquid pipe connection port	ø9.5mm brazing connection
6	Electric box (note 1.)	
7	Suspension brackets	M8 ~M10
8	Grounding terminal	M4
9	Attached pipe (1) (Note. 3)	ø19.1mm brazing connection
10	Attached pipe (2) (Note. 3)	ø15.9mm brazing connection

NOTES

- Electric box can also be fixed on the other side of the unit.
- Be sure to install a inspection door at electric box side.
- Attached pipe (1) and attached pipe (2) is used in case of connecting with indoor capacity index more than 160 and less than 200 In case of connecting one indoor unit of 200 type, only gas pipe connection port need Attached pipe (1).
- Small sound will be made when changing over the motor operated valve, which may be disturbing. Do not install it at the place such as bedroom under roof.

3D056012A

BSVQ160PV1



Nr	Name	Description
1	Suction gas pipe connection port	ø15.9mm brazing connection
2	HP/LP gas pipe connection port	ø12.7mm brazing connection
3	Liquid pipe connection port	ø9.5mm brazing connection
4	Gas pipe connection port	ø15.9mm brazing connection
5	Liquid pipe connection port	ø9.5mm brazing connection
6	Electric box (note 1.)	
7	Suspension brackets	M8 ~M10
8	Grounding terminal	M4
9	Attached pipe (1) (Note. 3)	ø19.1mm brazing connection
10	Attached pipe (2) (Note. 3)	ø15.9mm brazing connection

NOTES

- Electric box can also be fixed on the other side of the unit.
- Be sure to install an inspection door at electric box side.
- Attached pipe is only used in case of connecting with indoor unit capacity index 150 or more and 160 or less.
- Small sound of refrigerant will be made, which may be disturbing. Do not install it at the place such as bedroom under roof.

3D058004

4 Dimensional drawing & centre of gravity

4 - 1 Dimensional drawing

BSVQ100PV1

Nr	Name	Description
1	Suction gas pipe connection port	ø15.9mm brazing connection
2	HP/LP gas pipe connection port	ø12.7mm brazing connection
3	Liquid pipe connection port	ø9.5mm brazing connection
4	Gas pipe connection port	ø15.9mm brazing connection
5	Liquid pipe connection port	ø9.5mm brazing connection
6	Electric box (note 1.)	
7	Suspension brackets	M8 ~M10
8	Grounding terminal	M4
9	Attached pipe (1) (Note. 3)	ø12.7mm brazing connection
10	Attached pipe (2) (Note. 3)	ø6.4mm brazing connection

NOTES

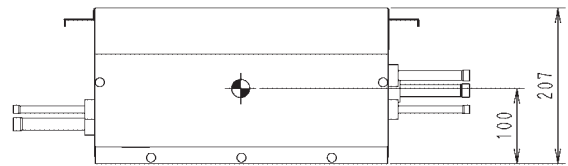
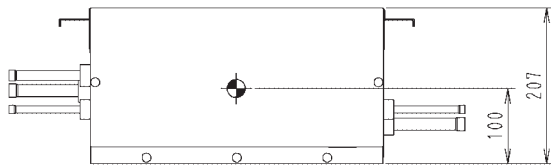
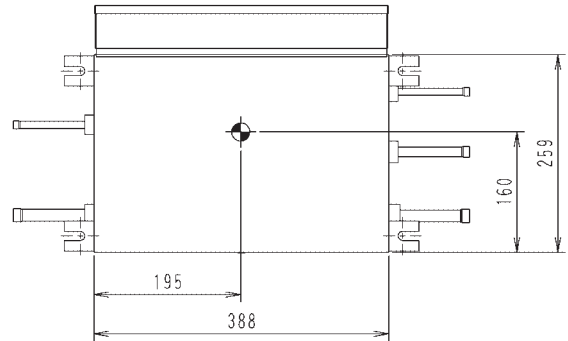
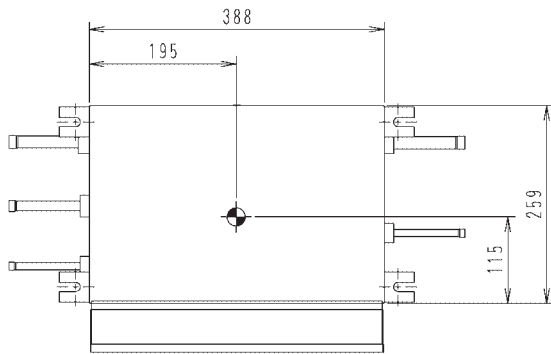
- 1 Electric box can also be fixed on the other side of the unit.
- 2 Be sure to install an inspection door at electric box side.
- 3 Attached pipe is only used in case of connecting with a 20-50 class indoor unit.
- 4 Small sound of refrigerant will be made, which may be disturbing.
Do not install it at the place such as bedroom under roof.

3D056011

4 Dimensional drawing & centre of gravity

4 - 2 Centre of gravity

BSVQ100,160PV1

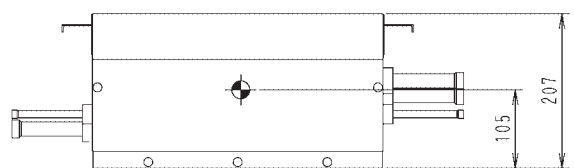
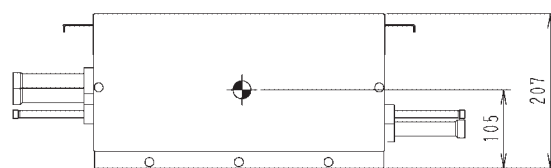
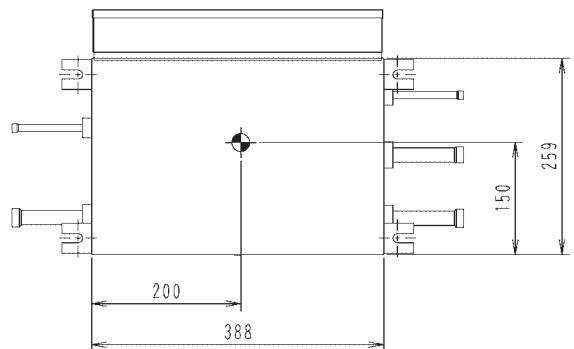
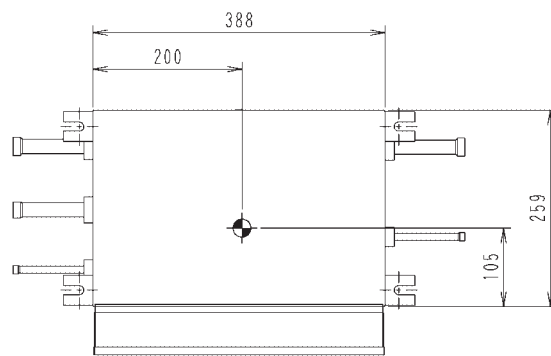


In case of the electrical box on the standard side of the unit

In case of the electrical box on the other side of the unit

3D058131

BSVQ250PV1

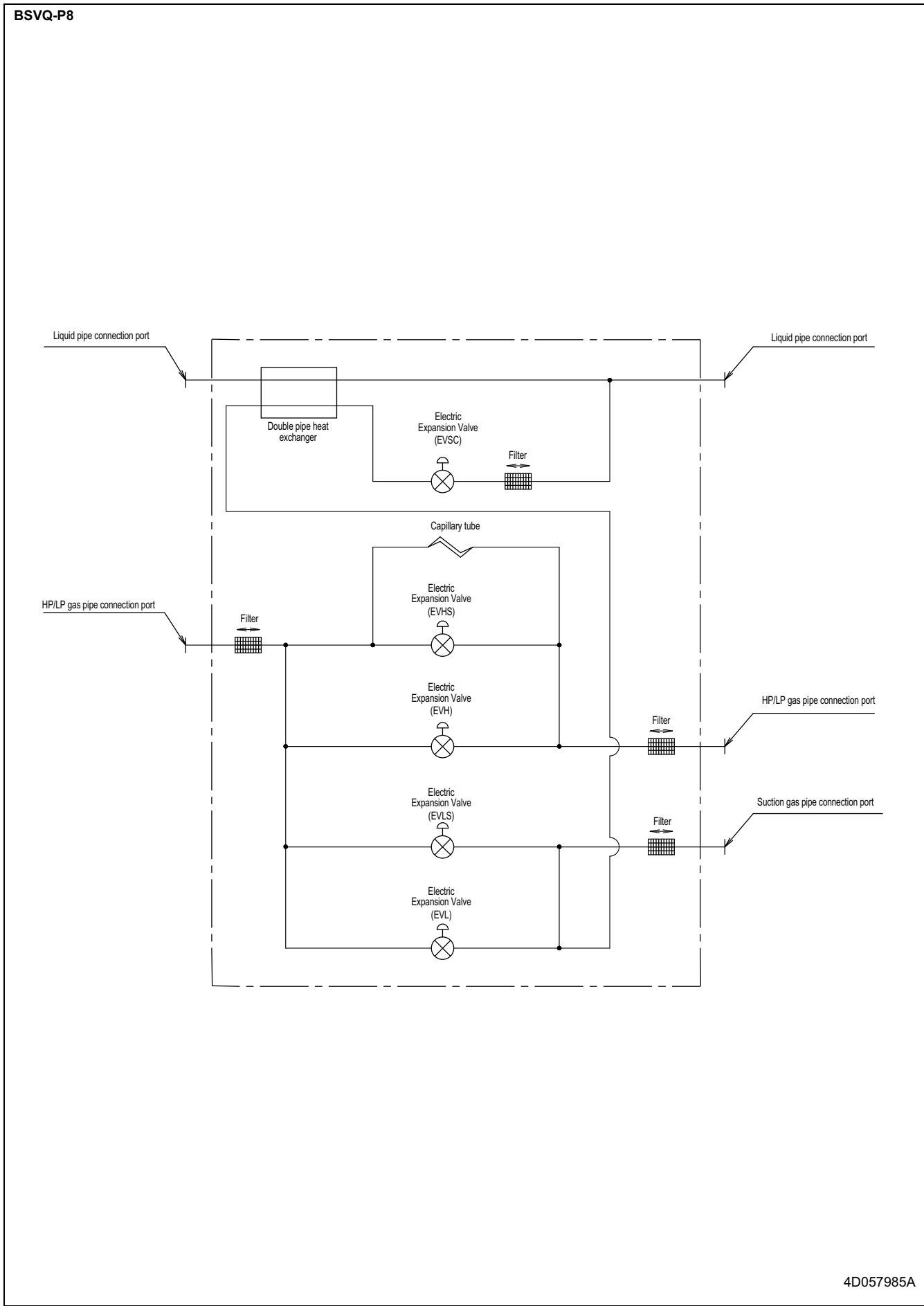


In case of the electrical box on the standard side of the unit

In case of the electrical box on the other side of the unit

3D058132

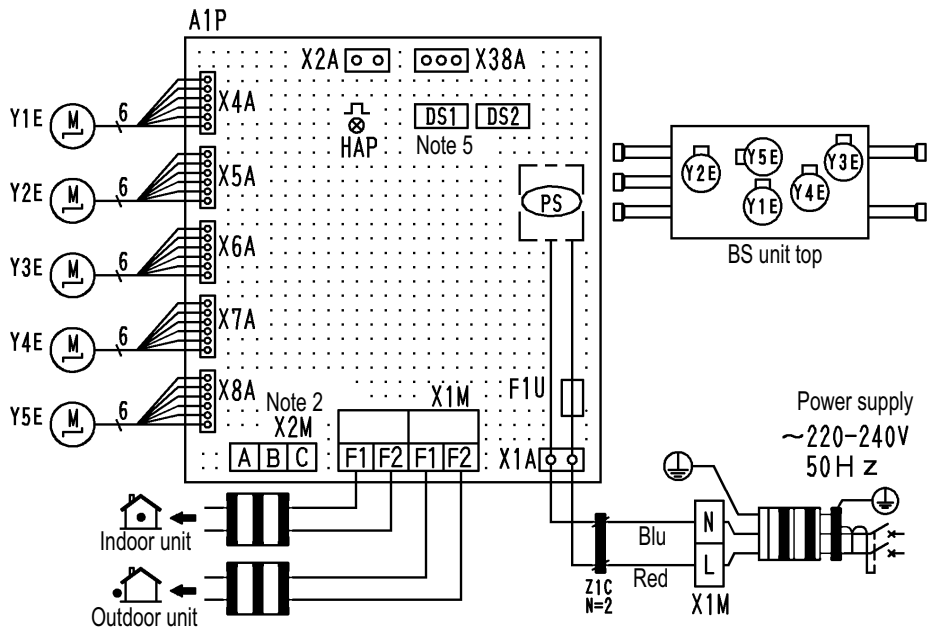
5 Piping diagram



6 Wiring diagram

6 - 1 Wiring diagram

BSVQ-P8



A1P	Printed circuit board	Y2E	Electric Expansion Valve (Sub Discharge)
DS1, DS2	Dip Switch	Y3E	Electric Expansion Valve (Sub Suction)
F1U	Fuse (T, 3, 15A, 250V)	Y4E	Electric Expansion Valve (Main Discharge)
HAP	Flashing Lamp (Service Monitor Green)	Y5E	Electric Expansion Valve (Main Suction)
PS	Switching Power Supply (A1P)	Z1C	Noise Filter (Ferrite Core)
X1M	Terminal Strip (Power)	Connector For Optional Parts	
X1M (A1P)	Terminal Strip (Control)	X2A	Connector (Wiring External Control Adaptor For Outdoor Unit)
X2M	Terminal Strip (C/H Selector)	X38A	Connector (Adaptor For Multi Tenant)
Y1E	Electric Expansion Valve (Sub Cool)		

- | | | | |
|-----------------------|------------------|-------------|-------------|
| □□□□ : Terminal Strip | Colors: RED: Red | PRP: Purple | ORG: Orange |
| □□ : Connector | BLK: Black | GRY: Gray | GRN: Green |
| —○— : Connector | WHT: White | Blu: Blue | |
| —■— : Field wiring | YLW: Yellow | PNK: Pink | |
| ⊕ : Protective earth | | | |

3D060928

NOTES

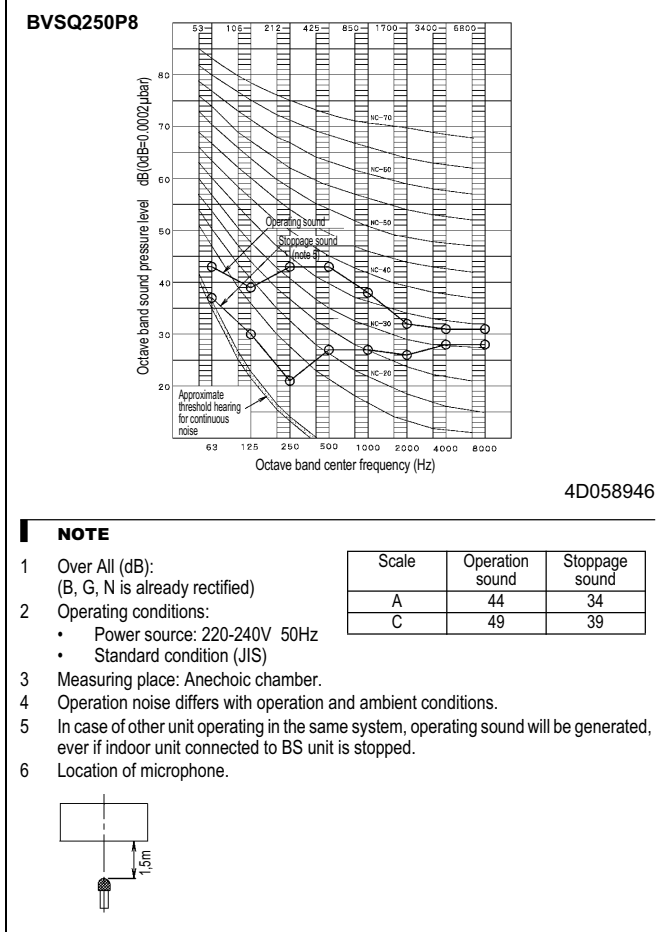
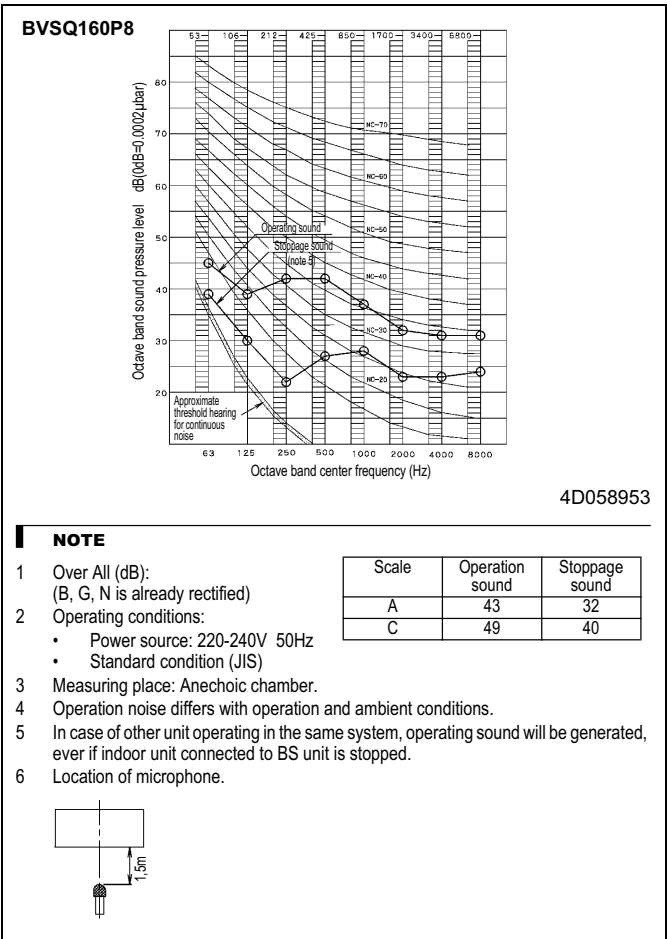
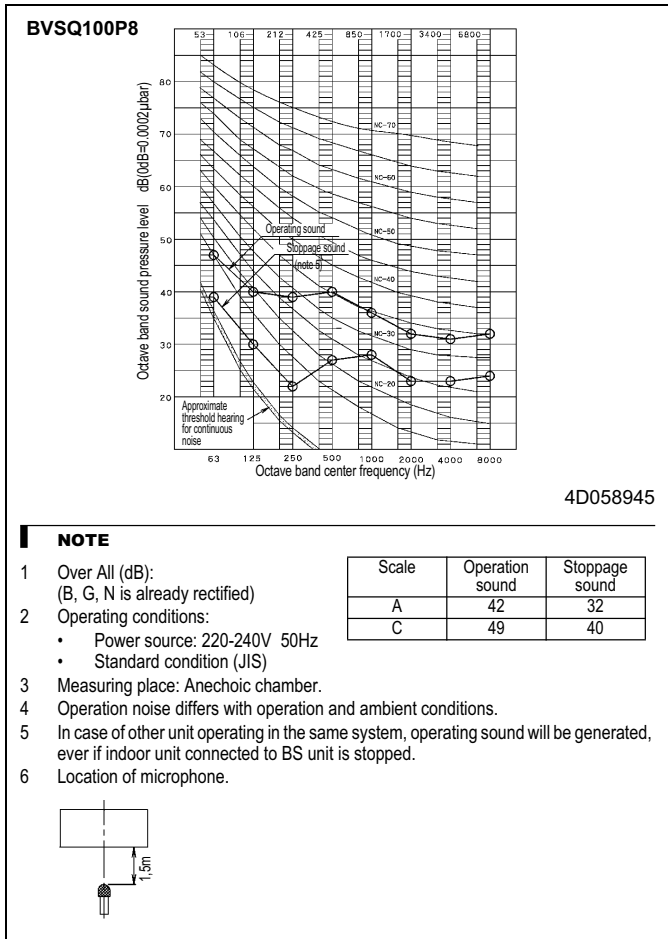
- 1 This wiring diagram applies to the BS unit only.
- 2 When using the cool/heat selector (Optional accessory), connect it to terminals A, B, and C on X2M.
- 3 As for wiring to the IN/D unit (F1) - (F2) and OUT/D unit (F1) - (F2) on X1M(A1P), refer to installation manual.
- 4 Use copper conductors only.
- 5 DIP switch (DS1-2) initial settings are as follows.



For using DIP switch (DS1-2), refer to installation manual or "service precaution" Label on EL, COMPO, BOX, COVER.

7 Sound data

7 - 1 Sound pressure spectrum



2a

VRV III

In all of us,
a green heart



Daikin's unique position as a manufacturer of air conditioning equipment, compressors and refrigerants has led to its close involvement in environmental issues. For several years Daikin has had the intension to become a leader in the provision of products that have limited impact on the environment. This challenge demands the eco design and development of a wide range of products and an energy management system, resulting in energy conservation and a reduction of waste.



Daikin Europe N.V. is approved by LRQA for its Quality Management System in accordance with the ISO9001 standard. ISO9001 pertains to quality assurance regarding design, development, manufacturing as well as to services related to the product.



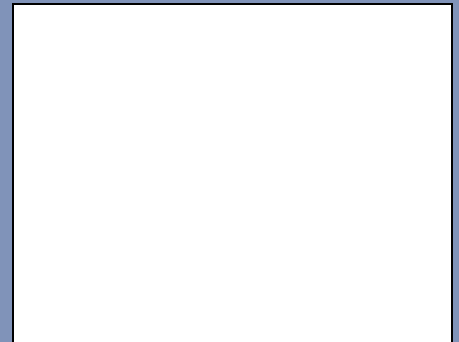
ISO14001 assures an effective environmental management system in order to help protect human health and the environment from the potential impact of our activities, products and services and to assist in maintaining and improving the quality of the environment.



Daikin units comply with the European regulations that guarantee the safety of the product.

VRV® products are not within the scope of the Eurovent certification programme.

The present publication is drawn up by way of information only and does not constitute an offer binding upon Daikin Europe N.V.. Daikin Europe N.V. has compiled the content of this publication to the best of its knowledge. No express or implied warranty is given for the completeness, accuracy, reliability or fitness for particular purpose of its content and the products and services presented therein. Specifications are subject to change without prior notice. Daikin Europe N.V. explicitly rejects any liability for any direct or indirect damage. In the broadest sense, arising from or related to the use and/or interpretation of this publication. All content is copyrighted by Daikin Europe N.V..



DAIKIN EUROPE N.V.

Naamloze Vennootschap
Zandvoordestraat 300
B-8400 Oostende, Belgium
www.daikin.eu
BTW: BE 0412 120 336
RPR Oostende



EEDEN08-200 • 01/2008 • Copyright © Daikin

The present publication supersedes EEDEN07-200
Prepared in Belgium by Lannoo (www.lannooprint.be), a company whose concern for the environment is set in the EMAS and ISO 14001 systems.
Responsible Editor: Daikin Europe N.V., Zandvoordestraat 300, B- 8400 Oostende