



technical data

Round Flow Cassette
FXFQ-PVE9

air conditioning systems

R-410A

TABLE OF CONTENTS

FXFQ-PVE9

1	Specifications	2
	Technical Specifications	2
	Electrical Specifications (50Hz)	3
	Electrical Specifications (60Hz)	3
2	Safety device settings	4
3	Options	4
4	Capacity tables	5
	Cooling capacity tables	5
	Heating capacity tables	7
5	Dimensional drawing & centre of gravity	9
	Dimensional drawing	9
	Centre of gravity	11
6	Piping diagram.....	12
7	Wiring diagram.....	13
	Wiring diagram	13
8	Sound data.....	14
	Sound pressure spectrum	14

1 Specifications

1-1 TECHNICAL SPECIFICATIONS				FXFQ25PVE9	FXFQ32PVE9	FXFQ40PVE9	FXFQ50PVE9	FXFQ63PVE9	FXFQ80PVE9	FXFQ100PVE9	FXFQ125PVE9	
Capacity	Cooling	kW	2.8	3.6	4.5	5.6	7.1	9.0	11.2	14.0		
	Heating	kW	3.2	4.0	5.0	6.3	8.0	10.0	12.5	16.0		
Power Input (50Hz)	Cooling	kW	0.033	0.033	0.047	0.052	0.066	0.093	0.187	0.209		
	Heating	kW	0.027	0.027	0.034	0.038	0.053	0.075	0.174	0.200		
Power Input (60Hz)	Cooling	kW	0.032	0.032	0.042	0.050	0.063	0.092	0.186	0.208		
	Heating	kW	0.027	0.027	0.034	0.038	0.053	0.075	0.174	0.200		
Casing	Material	Galvanised steel										
Dimensions	Unit	Height	mm	246	246	246	246	246	246	288	288	
		Width	mm	840	840	840	840	840	840	840	840	
		Depth	mm	840	840	840	840	840	840	840	840	
Weight	Unit	kg	19.5	19.5	19.5	19.5	22	22	25	25		
Heat Exchanger	Dimensions	Nr of Rows		2	2	2	2	2	2	2	2	
		Fin Pitch	mm	1.2	1.2	1.2	1.2	1.2	1.2	1.2	1.2	
		Face Area	m ²	0.267	0.267	0.267	0.267	0.446	0.446	0.535	0.535	
		Nr of Stages		6	6	6	6	10	10	12	12	
	Fin	Fin type	Cross fin coil									
Fan	Type	Turbo fan										
Cooling	High high	m ³ /min	13	13	15	16	19	21	32	33		
	High	m ³ /min	11.5	11.5	13	13.5	16.5	18	26	28.0		
	Low	m ³ /min	10	10	11	11	13.5	15	20	22.5		
Fan	Motor	Model	QTS48C15M									
		Output (high)	W	56	56	56	56	56	56	120	120	
		Drive	Direct drive									
Refrigerant	Name	R-410A										
Piping connections	Liquid (OD)	Type	Flare connection									
		Diameter	mm	6.35	6.35	6.35	6.35	9.52	9.52	9.52	9.52	
	Gas	Type	Flare connection									
		Diameter	mm	12.7	12.7	12.7	12.7	15.9	15.9	15.9	15.9	
	Drain	Diameter	mm	VP25 (I.D. 25/O.D. 32)								
Sound absorbing insulation	Polyurethane form											
Decoration Panel	Model	BYCP125K-W1										
	Colour	Fresh white										
	Dimensions	Height	mm	50								
		Width	mm	950								
		Depth	mm	950								
Weight	kg	5.5										
Air Filter	Resin net with mold resistance											
Refrigerant control	Electronic expansion valve											
Temperature control	Microprocessor thermostat for cooling and heating											
Safety devices	Fuse											
Standard Accessories	Operation manual											
	Installation manual											
	Paper pattern for installation											
	Drain hose											
	Clamp metal											
	Washer fixing plate											
	Sealing pads											
	Clamps											
	Screws											
	Washer for hanging bracket											
	Insulation for fitting											
	Installation guide											
	Notes	Nominal cooling capacities are based on : indoor temperature : 27°CDB, 19°CWB, outdoor temperature : 35°CDB, equivalent refrigerant piping : 7.5m (horizontal)										
Nominal heating capacities are based on : indoor temperature : 20°CDB, outdoor temperature : 7°CDB, 6°CWB, equivalent refrigerant piping : 7.5m (horizontal)												
Capacities are net, including a deduction for cooling (an addition for heating) for indoor fan motor heat.												

1 Specifications

1-2 ELECTRICAL SPECIFICATIONS (50HZ)			FXFQ25PVE9	FXFQ32PVE9	FXFQ40PVE9	FXFQ50PVE9	FXFQ63PVE9	FXFQ80PVE9	FXFQ100PVE9	FXFQ125PVE9
Power Supply	Name		VE							
	Phase		1~							
	Frequency	Hz	50							
	Voltage	V	220-240							
Current	Minimum circuit amps (MCA)	A	0.3	0.3	0.3	0.3	0.4	0.5	1.3	1.5
	Maximum fuse amps (MFA)	A	15	15	15	15	15	15	15	15
	Full load amps (FLA)	A	0.2	0.2	0.2	0.2	0.3	0.4	1.0	1.2
Voltage range	Minimum	V	-10%							
	Maximum	V	+10%							
Notes			Voltage range : units are suitable for use on electrical systems where voltage supplied to unit terminals is not below or above listed range limits. Maximum allowable voltage range variation between phases is 2%. MCA/MFA : MCA = 1.25 x FLA MFA is smaller than or equal to 4 x FLA Next lower standard fuse rating minimum 15A Select wire size based on the MCA Instead of a fuse, use a circuit breaker							

1-3 ELECTRICAL SPECIFICATIONS (60HZ)			FXFQ25PVE9	FXFQ32PVE9	FXFQ40PVE9	FXFQ50PVE9	FXFQ63PVE9	FXFQ80PVE9	FXFQ100PVE9	FXFQ125PVE9
Power Supply	Name		VE							
	Phase		1~							
	Frequency	Hz	60							
	Voltage	V	220							
Current	Minimum circuit amps (MCA)	A	0.3	0.3	0.3	0.3	0.4	0.5	1.3	1.5
	Maximum fuse amps (MFA)	A	15	15	15	15	15	15	15	15
	Full load amps (FLA)	A	0.2	0.2	0.2	0.2	0.3	0.4	1.0	1.2
Voltage range	Minimum	V	-10%							
	Maximum	V	+10%							
Notes			Voltage range : units are suitable for use on electrical systems where voltage supplied to unit terminals is not below or above listed range limits. Maximum allowable voltage range variation between phases is 2%. MCA/MFA : MCA = 1.25 x FLA MFA is smaller than or equal to 4 x FLA Next lower standard fuse rating minimum 15A Select wire size based on the MCA Instead of a fuse, use a circuit breaker							

2 Safety device settings

1
2

FXFQ-PV9

Safety devices			25	32	40	50	63	80	100	120
FXFQ-PVE9	PC board fuse	°C	250V 5A	250V 5A	250V 5A	250V 5A	250V 5A	250V 5A	250V 5A	250V 5A
	Fan motor thermal fuse	°C	-	-	-	-	-	-	-	-
	Fan motor thermal protector	°C	-	-	-	-	-	-	-	-

3D006691N

3 Options

FXFQ-PV9

Option	Note	FXFQ25PVE9 FXFQ32PVE9 FXFQ40PVE9	FXFQ50PVE9 FXFQ63PVE9 FXFQ80PVE9	FXFQ100PVE9 FXFQ125PVE9
Decoration panel				BYCP125K-W1
Sealing material of air discharge outlet				KDBH55K160F
Panel spacer				KDBP55H160FA
Fresh air intake kit	Chamber type	Without T shape pipe		KDDP55K160
		With T shape pipe		KDDP55K160K
	Direct installation type			KDDP55X160
Chamber connection kit				KKSJ55K160
Insulation kit for high humidity			KDTP55K80	KDTP55K160
High efficiency filter unit	Colorimetric method 65%		KAFP556H80	KAFP556H160
	Colorimetric method 90%		KAFP557H80	KAFP557H160
Replacement high efficiency filter	Colorimetric method 65%		KAFP552H80	KAFP552H160
	Colorimetric method 90%		KAFP553H80	KAFP553H160
Filter chamber				KDDFP55H160
Replacement Long Life filter				KAFP551K160
Ultra long life filter				KAFP55H160
Replacement Ultra long life filter				KAFP55H160H
Branch duct chamber			KDJP55H80	KDJP55H160
Remote controller	Wired type			BRC1C62
	Wireless type (HP/CO)			BRC7F634F / BRC7F635F
Central remote control				DCS302CA61
Unified ON/OFF control				DCS301BA61
Schedule timer				DST301BA61
Intelligent Touch control				DCS601C51
Adapter for wiring				KRP1C63
Group control adapter				KRP4A53
Remote Sensor				KRCS01-4B
Installation box for adaptor PCB				KRP1H98

3D060297A

4 Capacity tables

4 - 1 Cooling capacity tables

FXFQ-PV9		TC: Total Capacity:kW - SHC: Sensible capacity: kW														
Unit size	Nominal capacity	Outdoor air temp. °CDB	Indoor air temperature													
			14.0°CWB 20.0°CDB		16.0°CWB 23.0°CDB		18.0°CWB 26.0°CDB		19.0°CWB 27.0°CDB		20.0°CWB 28.0°CDB		22.0°CWB 30.0°CDB		24.0°CWB 32.0°CDB	
			TC	SHC	TC	SHC	TC	SHC	TC	SHC	TC	SHC	TC	SHC	TC	SHC
25	2.8	10.0	1.9	1.9	2.3	2.1	2.6	2.3	2.8	2.3	3.0	2.3	3.3	2.4	3.5	2.3
		12.0	1.9	1.9	2.3	2.1	2.6	2.3	2.8	2.3	3.0	2.3	3.3	2.4	3.5	2.3
		14.0	1.9	1.9	2.3	2.1	2.6	2.3	2.8	2.3	3.0	2.3	3.3	2.4	3.4	2.2
		16.0	1.9	1.9	2.3	2.1	2.6	2.3	2.8	2.3	3.0	2.3	3.3	2.4	3.4	2.2
		18.0	1.9	1.9	2.3	2.1	2.6	2.3	2.8	2.3	3.0	2.3	3.3	2.3	3.4	2.2
		20.0	1.9	1.9	2.3	2.1	2.6	2.3	2.8	2.3	3.0	2.3	3.2	2.3	3.3	2.2
		21.0	1.9	1.9	2.3	2.1	2.6	2.3	2.8	2.3	3.0	2.3	3.2	2.3	3.3	2.1
		23.0	1.9	1.9	2.3	2.1	2.6	2.3	2.8	2.3	3.0	2.3	3.2	2.3	3.2	2.1
		25.0	1.9	1.9	2.3	2.1	2.6	2.3	2.8	2.3	3.0	2.3	3.1	2.2	3.2	2.1
		27.0	1.9	1.9	2.3	2.1	2.6	2.3	2.8	2.3	3.0	2.3	3.1	2.2	3.2	2.0
		29.0	1.9	1.9	2.3	2.1	2.6	2.3	2.8	2.3	3.0	2.3	3.0	2.2	3.1	2.1
		31.0	1.9	1.9	2.3	2.1	2.6	2.3	2.8	2.3	2.9	2.3	3.0	2.1	3.1	2.1
		33.0	1.9	1.9	2.3	2.1	2.6	2.3	2.8	2.3	2.9	2.2	2.9	2.2	3.0	2.1
		35.0	1.9	1.9	2.3	2.1	2.6	2.3	2.8	2.3	2.8	2.2	2.9	2.1	3.0	2.0
		37.0	1.9	1.9	2.3	2.1	2.6	2.3	2.8	2.3	2.8	2.2	2.9	2.1	2.9	2.0
		39.0	1.9	1.9	2.3	2.1	2.6	2.3	2.7	2.3	2.7	2.2	2.8	2.1	2.9	2.0
		42.0	1.9	1.9	2.3	2.0	2.6	2.1	2.6	2.1	2.7	2.1	2.7	1.9	2.8	1.9
		44.0	1.9	1.9	2.3	2.0	2.6	2.1	2.6	2.1	2.6	2.0	2.7	1.9	2.8	1.8
46.0	1.9	1.9	2.3	2.0	2.4	2.0	2.4	1.9	2.4	1.9	2.4	1.7	2.4	1.6		
32	3.6	10.0	2.4	2.4	2.9	2.6	3.4	2.8	3.6	2.9	3.8	2.9	4.3	2.9	4.6	2.8
		12.0	2.4	2.4	2.9	2.6	3.4	2.8	3.6	2.9	3.8	2.9	4.3	2.9	4.5	2.8
		14.0	2.4	2.4	2.9	2.6	3.4	2.8	3.6	2.9	3.8	2.9	4.3	2.9	4.4	2.8
		16.0	2.4	2.4	2.9	2.6	3.4	2.8	3.6	2.9	3.8	2.9	4.3	2.9	4.4	2.7
		18.0	2.4	2.4	2.9	2.6	3.4	2.8	3.6	2.9	3.8	2.9	4.2	2.9	4.3	2.7
		20.0	2.4	2.4	2.9	2.6	3.4	2.8	3.6	2.9	3.8	2.9	4.2	2.8	4.3	2.7
		21.0	2.4	2.4	2.9	2.6	3.4	2.8	3.6	2.9	3.8	2.9	4.1	2.8	4.2	2.6
		23.0	2.4	2.4	2.9	2.6	3.4	2.8	3.6	2.9	3.8	2.9	4.1	2.8	4.2	2.6
		25.0	2.4	2.4	2.9	2.6	3.4	2.8	3.6	2.9	3.8	2.9	4.0	2.7	4.1	2.6
		27.0	2.4	2.4	2.9	2.6	3.4	2.8	3.6	2.9	3.8	2.9	4.0	2.7	4.1	2.6
		29.0	2.4	2.4	2.9	2.6	3.4	2.8	3.6	2.9	3.8	2.9	3.9	2.7	4.0	2.5
		31.0	2.4	2.4	2.9	2.6	3.4	2.8	3.6	2.9	3.8	2.8	3.8	2.6	3.9	2.5
		33.0	2.4	2.4	2.9	2.6	3.4	2.8	3.6	2.9	3.7	2.8	3.8	2.6	3.9	2.5
		35.0	2.4	2.4	2.9	2.6	3.4	2.8	3.6	2.9	3.6	2.7	3.7	2.6	3.8	2.5
		37.0	2.4	2.4	2.9	2.6	3.4	2.8	3.5	2.8	3.6	2.7	3.7	2.6	3.8	2.5
		39.0	2.4	2.4	2.9	2.6	3.4	2.8	3.5	2.8	3.5	2.7	3.6	2.6	3.7	2.5
		42.0	2.4	2.3	2.9	2.6	3.4	2.8	3.4	2.7	3.4	2.7	3.5	2.4	3.6	2.4
		44.0	2.4	2.3	2.9	2.6	3.3	2.7	3.3	2.7	3.4	2.6	3.5	2.4	3.6	2.3
46.0	2.4	2.3	2.9	2.6	3.1	2.5	3.1	2.5	3.1	2.4	3.1	2.2	3.1	2.1		
40	4.5	10.0	3.0	2.7	3.6	3.0	4.2	3.3	4.5	3.3	4.8	3.4	5.4	3.5	5.7	3.3
		12.0	3.0	2.7	3.6	3.0	4.2	3.3	4.5	3.3	4.8	3.4	5.4	3.5	5.6	3.3
		14.0	3.0	2.7	3.6	3.0	4.2	3.3	4.5	3.3	4.8	3.4	5.4	3.5	5.5	3.2
		16.0	3.0	2.7	3.6	3.0	4.2	3.3	4.5	3.3	4.8	3.4	5.4	3.4	5.5	3.2
		18.0	3.0	2.7	3.6	3.0	4.2	3.3	4.5	3.3	4.8	3.4	5.3	3.4	5.4	3.2
		20.0	3.0	2.7	3.6	3.0	4.2	3.3	4.5	3.3	4.8	3.4	5.2	3.3	5.3	3.1
		21.0	3.0	2.7	3.6	3.0	4.2	3.3	4.5	3.3	4.8	3.4	5.2	3.3	5.3	3.1
		23.0	3.0	2.7	3.6	3.0	4.2	3.3	4.5	3.3	4.8	3.4	5.1	3.3	5.2	3.1
		25.0	3.0	2.7	3.6	3.0	4.2	3.3	4.5	3.3	4.8	3.4	5.0	3.2	5.1	3.0
		27.0	3.0	2.7	3.6	3.0	4.2	3.3	4.5	3.3	4.8	3.4	5.0	3.2	5.1	3.0
		29.0	3.0	2.7	3.6	3.0	4.2	3.3	4.5	3.3	4.8	3.4	4.9	3.1	5.0	3.0
		31.0	3.0	2.7	3.6	3.0	4.2	3.3	4.5	3.3	4.7	3.3	4.8	3.1	4.9	3.0
		33.0	3.0	2.7	3.6	3.0	4.2	3.3	4.5	3.3	4.6	3.2	4.7	3.1	4.8	3.0
		35.0	3.0	2.7	3.6	3.0	4.2	3.3	4.5	3.3	4.6	3.2	4.7	3.1	4.8	2.9
		37.0	3.0	2.7	3.6	3.0	4.2	3.3	4.4	3.3	4.5	3.2	4.6	3.0	4.7	2.9
		39.0	3.0	2.7	3.6	3.0	4.2	3.3	4.4	3.2	4.4	3.2	4.5	3.0	4.6	2.9
		42.0	3.0	2.7	3.6	2.9	4.2	3.2	4.2	3.1	4.3	3.2	4.4	2.9	4.5	2.8
		44.0	3.0	2.7	3.6	2.9	4.1	3.1	4.2	3.0	4.2	3.1	4.3	2.9	4.4	2.8
46.0	3.0	2.7	3.6	2.9	3.9	2.9	3.9	2.8	3.9	2.8	3.9	2.6	3.9	2.5		

CA05A396

1
4

4 Capacity tables

4 - 1 Cooling capacity tables

1
4

FXFQ-PV9		TC: Total Capacity;kW - SHC: Sensible capacity; kW														
Unit size	Nominal capacity	Outdoor air temp. °CDB	Indoor air temperature													
			14.0°CWB 20.0°CDB		16.0°CWB 23.0°CDB		18.0°CWB 26.0°CDB		19.0°CWB 27.0°CDB		20.0°CWB 28.0°CDB		22.0°CWB 30.0°CDB		24.0°CWB 32.0°CDB	
			TC	SHC	TC	SHC	TC	SHC	TC	SHC	TC	SHC	TC	SHC	TC	SHC
50	5.6	10.0	3.8	3.2	4.5	3.6	5.2	3.9	5.6	4.0	6.0	4.1	6.7	4.2	7.1	4.1
		12.0	3.8	3.2	4.5	3.6	5.2	3.9	5.6	4.0	6.0	4.1	6.7	4.2	7.0	4.0
		14.0	3.8	3.2	4.5	3.6	5.2	3.9	5.6	4.0	6.0	4.1	6.7	4.2	6.9	4.0
		16.0	3.8	3.2	4.5	3.6	5.2	3.9	5.6	4.0	6.0	4.1	6.7	4.2	6.8	3.9
		18.0	3.8	3.2	4.5	3.6	5.2	3.9	5.6	4.0	6.0	4.1	6.6	4.1	6.7	3.9
		20.0	3.8	3.2	4.5	3.6	5.2	3.9	5.6	4.0	6.0	4.1	6.5	4.1	6.6	3.8
		21.0	3.8	3.2	4.5	3.6	5.2	3.9	5.6	4.0	6.0	4.1	6.4	4.1	6.6	3.8
		23.0	3.8	3.2	4.5	3.6	5.2	3.9	5.6	4.0	6.0	4.1	6.4	4.1	6.5	3.7
		25.0	3.8	3.2	4.5	3.6	5.2	3.9	5.6	4.0	6.0	4.1	6.3	3.9	6.4	3.7
		27.0	3.8	3.2	4.5	3.6	5.2	3.9	5.6	4.0	6.0	4.1	6.2	3.9	6.3	3.7
		29.0	3.8	3.2	4.5	3.6	5.2	3.9	5.6	4.0	5.9	4.1	6.1	3.8	6.2	3.6
		31.0	3.8	3.2	4.5	3.6	5.2	3.9	5.6	4.0	5.9	4.0	6.0	3.8	6.1	3.6
		33.0	3.8	3.2	4.5	3.6	5.2	3.9	5.6	4.0	5.8	4.0	5.9	3.8	6.0	3.6
		35.0	3.8	3.2	4.5	3.6	5.2	3.9	5.6	4.0	5.7	3.9	5.8	3.7	5.9	3.5
		37.0	3.8	3.2	4.5	3.6	5.2	3.9	5.5	3.9	5.6	3.9	5.7	3.7	5.8	3.5
		39.0	3.8	3.2	4.5	3.6	5.2	3.9	5.4	3.9	5.5	3.8	5.6	3.7	5.8	3.5
		42.0	3.8	3.1	4.5	3.5	5.2	3.8	5.3	3.7	5.3	3.7	5.5	3.6	5.6	3.3
		44.0	3.8	3.1	4.5	3.5	5.1	3.8	5.2	3.7	5.3	3.6	5.4	3.5	5.5	3.3
		46.0	3.8	3.1	4.5	3.5	4.8	3.5	4.8	3.4	4.8	3.3	4.8	3.1	4.9	2.9
		63	7.1	10.0	4.8	4.2	5.7	4.6	6.6	5.1	7.1	5.2	7.6	5.3	8.5	5.5
12.0	4.8			4.2	5.7	4.6	6.6	5.1	7.1	5.2	7.6	5.3	8.5	5.5	8.9	5.3
14.0	4.8			4.2	5.7	4.6	6.6	5.1	7.1	5.2	7.6	5.3	8.5	5.5	8.7	5.2
16.0	4.8			4.2	5.7	4.6	6.6	5.1	7.1	5.2	7.6	5.3	8.5	5.5	8.6	5.1
18.0	4.8			4.2	5.7	4.6	6.6	5.1	7.1	5.2	7.6	5.3	8.3	5.4	8.5	5.1
20.0	4.8			4.2	5.7	4.6	6.6	5.1	7.1	5.2	7.6	5.3	8.2	5.3	8.4	5.0
21.0	4.8			4.2	5.7	4.6	6.6	5.1	7.1	5.2	7.6	5.3	8.2	5.3	8.3	5.0
23.0	4.8			4.2	5.7	4.6	6.6	5.1	7.1	5.2	7.6	5.3	8.1	5.2	8.2	4.9
25.0	4.8			4.2	5.7	4.6	6.6	5.1	7.1	5.2	7.6	5.3	7.9	5.1	8.1	4.9
27.0	4.8			4.2	5.7	4.6	6.6	5.1	7.1	5.2	7.6	5.3	7.8	5.1	8.0	4.8
29.0	4.8			4.2	5.7	4.6	6.6	5.1	7.1	5.2	7.5	5.3	7.7	5.0	7.9	4.8
31.0	4.8			4.2	5.7	4.6	6.6	5.1	7.1	5.2	7.4	5.2	7.6	4.9	7.8	4.7
33.0	4.8			4.2	5.7	4.6	6.6	5.1	7.1	5.2	7.3	5.1	7.5	4.9	7.6	4.7
35.0	4.8			4.2	5.7	4.6	6.6	5.1	7.1	5.2	7.2	5.1	7.4	4.8	7.5	4.6
37.0	4.8			4.2	5.7	4.6	6.6	5.1	7.0	5.1	7.1	5.0	7.2	4.8	7.4	4.6
39.0	4.8			4.2	5.7	4.6	6.6	5.1	6.9	5.1	7.0	5.0	7.1	4.8	7.3	4.6
42.0	4.8			4.1	5.7	4.5	6.6	4.9	6.7	4.9	6.8	4.8	7.0	4.6	7.1	4.4
44.0	4.8			4.1	5.7	4.5	6.5	4.8	6.6	4.9	6.7	4.7	6.8	4.5	7.0	4.3
46.0	4.8			4.1	5.7	4.5	6.1	4.6	6.1	4.5	6.1	4.3	6.1	4.0	6.2	3.8
80	9			10.0	6.1	5.3	7.2	6.2	8.4	6.7	9.0	7.0	9.6	7.1	10.8	7.3
		12.0	6.1	5.3	7.2	6.2	8.4	6.7	9.0	7.0	9.6	7.1	10.8	7.3	11.2	7.0
		14.0	6.1	5.3	7.2	6.2	8.4	6.7	9.0	7.0	9.6	7.1	10.8	7.3	11.1	6.9
		16.0	6.1	5.3	7.2	6.2	8.4	6.7	9.0	7.0	9.6	7.1	10.7	7.3	10.9	6.8
		18.0	6.1	5.3	7.2	6.2	8.4	6.7	9.0	7.0	9.6	7.1	10.6	7.2	10.8	6.7
		20.0	6.1	5.3	7.2	6.2	8.4	6.7	9.0	7.0	9.6	7.1	10.4	7.1	10.6	6.7
		21.0	6.1	5.3	7.2	6.2	8.4	6.7	9.0	7.0	9.6	7.1	10.4	7.0	10.6	6.6
		23.0	6.1	5.3	7.2	6.2	8.4	6.7	9.0	7.0	9.6	7.1	10.2	6.9	10.4	6.5
		25.0	6.1	5.3	7.2	6.2	8.4	6.7	9.0	7.0	9.6	7.1	10.1	6.8	10.3	6.5
		27.0	6.1	5.3	7.2	6.2	8.4	6.7	9.0	7.0	9.6	7.1	9.9	6.7	10.1	6.4
		29.0	6.1	5.3	7.2	6.2	8.4	6.7	9.0	7.0	9.5	7.1	9.8	6.6	10.0	6.4
		31.0	6.1	5.3	7.2	6.2	8.4	6.7	9.0	7.0	9.4	7.0	9.6	6.6	9.8	6.3
		33.0	6.1	5.3	7.2	6.2	8.4	6.7	9.0	7.0	9.3	6.9	9.5	6.6	9.7	6.3
		35.0	6.1	5.3	7.2	6.2	8.4	6.7	9.0	7.0	9.1	6.8	9.3	6.5	9.5	6.2
		37.0	6.1	5.3	7.2	6.2	8.4	6.7	8.9	6.9	9.0	6.7	9.2	6.5	9.4	6.2
		39.0	6.1	5.3	7.2	6.2	8.4	6.7	8.7	6.9	8.8	6.7	9.0	6.4	9.3	6.2
		42.0	6.1	5.3	7.2	6.2	8.4	6.6	8.5	6.7	8.6	6.4	8.8	6.2	9.0	5.9
		44.0	6.1	5.3	7.2	6.2	8.2	6.5	8.3	6.5	8.5	6.3	8.7	6.1	8.9	5.8
		46.0	6.1	5.3	7.2	6.2	7.7	6.1	7.7	6.1	7.8	5.8	7.8	5.5	7.8	5.1
		100	11.2	10.0	7.6	6.3	9.0	7.0	10.5	7.7	11.2	7.9	11.9	8.1	13.4	8.4
12.0	7.6			6.3	9.0	7.0	10.5	7.7	11.2	7.9	11.9	8.1	13.4	8.4	14.0	8.1
14.0	7.6			6.3	9.0	7.0	10.5	7.7	11.2	7.9	11.9	8.1	13.4	8.4	13.8	8.0
16.0	7.6			6.3	9.0	7.0	10.5	7.7	11.2	7.9	11.9	8.1	13.3	8.4	13.6	7.9
18.0	7.6			6.3	9.0	7.0	10.5	7.7	11.2	7.9	11.9	8.1	13.2	8.3	13.4	7.8
20.0	7.6			6.3	9.0	7.0	10.5	7.7	11.2	7.9	11.9	8.1	13.0	8.1	13.2	7.7
21.0	7.6			6.3	9.0	7.0	10.5	7.7	11.2	7.9	11.9	8.1	12.9	8.1	13.2	7.6
23.0	7.6			6.3	9.0	7.0	10.5	7.7	11.2	7.9	11.9	8.1	12.7	8.0	13.0	7.6
25.0	7.6			6.3	9.0	7.0	10.5	7.7	11.2	7.9	11.9	8.1	12.5	7.9	12.8	7.5
27.0	7.6			6.3	9.0	7.0	10.5	7.7	11.2	7.9	11.9	8.1	12.3	7.7	12.6	7.4
29.0	7.6			6.3	9.0	7.0	10.5	7.7	11.2	7.9	11.9	8.0	12.2	7.6	12.4	7.3
31.0	7.6			6.3	9.0	7.0	10.5	7.7	11.2	7.9	11.7	7.9	12.0	7.6	12.2	7.2
33.0	7.6			6.3	9.0	7.0	10.5	7.7	11.2	7.9	11.5	7.8	11.8	7.5	12.1	7.2
35.0	7.6			6.3	9.0	7.0	10.5	7.7	11.2	7.9	11.3	7.7	11.6	7.4	11.9	7.1
37.0	7.6			6.3	9.0	7.0	10.5	7.7	11.0	7.8	11.2	7.6	11.4	7.3	11.7	7.0
39.0	7.6			6.3	9.0	7.0	10.5	7.7	10.8	7.7	11.0	7.5	11.2	7.2	11.5	7.0
42.0	7.6			6.2	9.0	6.9	10.4	7.6	10.6	7.4	10.7	7.3	11.0	7.0	11.2	6.7
44.0	7.6			6.2	9.0	6.9	10.2	7.5	10.4	7.3	10.5	7.2	10.8	6.9	11.1	6.6
46.0	7.6			6.2	9.0	6.9	9.6	7.1	9.6	6.7	9.7	6.6	9.7	6.2	9.7	5.8
125	14			10.0	9.4	7.7	11.3	8.7	13.1	9.6	14.0	9.8	14.9	10.1	16.7	10.5
		12.0	9.4	7.7	11.3	8.7	13.1	9.6	14.0	9.8	14.9	10.1	16.7	10.5	17.5	10.1
		14.0	9.4	7.7	11.3	8.7	13.1	9.6	14.0	9.8	14.9	10.1	16.7	10.5	17.2	10.0
		16.0	9.4	7.7	11.3	8.7	13.1	9.6	14.0	9.8	14.9	10.1	16.7	10.4	17.0	9.9
		18.0	9.4	7.7	11.3	8.7	13.1	9.6	14.0	9.8	14.9	10.1	16.4	10.3	16.8	9.7
		20.0	9.4	7.7	11.3	8.7	13.1	9.6	14.0	9.8	14.9	10.1	16.2	10.1	16.6	9.6
		21.0	9.4	7.7	11.3	8.7	13.1	9.6	14.0	9.8	14.9	10.1	16.1	10.1	16.4	9.5
		23.0	9.4	7.7	11.3	8.7	13.1	9.6	14.0	9.8	14.9	10.1	15.9	9.9	16.2	9.4
		25.0	9.4	7.7	11.3	8.7	13.1	9.6	14.0	9.8	14.9	10.1	15.6	9.8	16.0	9.3
		27.0	9.4	7.7	11.3	8.7	13.1	9.6	14.0	9.8	14.9	10.1	15.4	9.6	15.8	9.2
		29.0	9.4	7.7	11.3	8.7	13.1	9.6	14.0	9.8	14.9	10.0	15.2	9.5	15.5	9.1
		31.0	9.4	7.7	11.3	8.7	13.1	9.6	14.0	9.8	14.6	9.9	15.0	9.4	15.3	9.0
		33.0	9.4	7.7	11.3	8.7	13.1	9.6	14.0	9.8	14.4	9.7	14.7	9.3	15.1	8.9
		35.0	9.4	7.7	11.3	8.7	13.1	9.6	14.0	9.8	14.2	9.6	14.5	9.2	14.9	8.8
		37.0	9.4	7.7												

4 Capacity tables

4 - 2 Heating capacity tables

FXFQ-PV9

Unit size	Nominal Capacity	Outdoor air temp		Indoor air temp.: °CDB					
				16.0	18.0	20.0	21.0	22.0	24.0
		°CDB	°CWB	KW	KW	KW	KW	KW	KW
25	3.2	-19.8	-20.0	1.9	1.9	1.9	1.9	1.9	1.9
		-18.8	-19.0	1.9	1.9	1.9	1.9	1.9	1.9
		-16.7	-17.0	2.1	2.1	2.0	2.0	2.0	2.0
		-14.7	-15.0	2.2	2.2	2.2	2.2	2.2	2.1
		-12.6	-13.0	2.3	2.3	2.3	2.3	2.3	2.3
		-10.5	-11.0	2.4	2.4	2.4	2.4	2.4	2.4
		-9.5	-10.0	2.5	2.4	2.4	2.4	2.4	2.4
		-8.5	-9.1	2.5	2.5	2.5	2.5	2.5	2.5
		-7.0	-7.6	2.6	2.6	2.6	2.6	2.6	2.6
		-5.0	-5.6	2.7	2.7	2.7	2.7	2.7	2.7
		-3.0	-3.7	2.8	2.8	2.8	2.8	2.8	2.8
		0.0	-0.7	3.0	3.0	3.0	3.0	3.0	2.8
		3.0	2.2	3.1	3.1	3.1	3.1	3.0	2.8
		5.0	4.1	3.3	3.2	3.2	3.1	3.0	2.8
		7.0	6.0	3.4	3.4	3.2	3.1	3.0	2.8
		9.0	7.9	3.5	3.4	3.2	3.1	3.0	2.8
		11.0	9.8	3.6	3.4	3.2	3.1	3.0	2.8
13.0	11.8	3.6	3.4	3.2	3.1	3.0	2.6		
15.0	13.7	3.6	3.4	3.2	3.1	3.0	2.8		
32	4.0	-19.8	-20.0	2.4	2.4	2.3	2.3	2.3	2.3
		-18.8	-19.0	2.4	2.4	2.4	2.4	2.4	2.4
		-16.7	-17.0	2.6	2.6	2.6	2.6	2.6	2.5
		-14.7	-15.0	2.7	2.7	2.7	2.7	2.7	2.7
		-12.6	-13.0	2.9	2.8	2.8	2.8	2.8	2.8
		-10.5	-11.0	3.0	3.0	3.0	3.0	3.0	3.0
		-9.5	-10.0	3.1	3.1	3.1	3.1	3.0	3.0
		-8.5	-9.1	3.1	3.1	3.1	3.1	3.1	3.1
		-7.0	-7.6	3.2	3.2	3.2	3.2	3.2	3.2
		-5.0	-5.6	3.4	3.4	3.4	3.4	3.4	3.4
		-3.0	-3.7	3.5	3.5	3.5	3.5	3.5	3.5
		0.0	-0.7	3.7	3.7	3.7	3.7	3.7	3.5
		3.0	2.2	3.9	3.9	3.9	3.9	3.7	3.5
		5.0	4.1	4.1	4.1	4.0	3.9	3.7	3.5
		7.0	6.0	4.2	4.2	4.0	3.9	3.7	3.5
		9.0	7.9	4.3	4.3	4.0	3.9	3.7	3.5
		11.0	9.8	4.5	4.3	4.0	3.9	3.7	3.5
13.0	11.8	4.5	4.3	4.0	3.9	3.7	3.5		
15.0	13.7	4.5	4.3	4.0	3.9	3.7	3.5		
40	5.0	-19.8	-20.0	3.0	2.9	2.9	2.9	2.9	2.9
		-18.8	-19.0	3.0	3.0	3.0	3.0	3.0	3.0
		-16.7	-17.5	3.2	3.2	3.2	3.2	3.2	3.2
		-14.7	-15.0	3.4	3.4	3.4	3.4	3.4	3.4
		-12.6	-13.0	3.6	3.6	3.6	3.5	3.5	3.5
		-10.5	-11.0	3.7	3.7	3.7	3.7	3.7	3.7
		-9.5	-10.0	3.8	3.8	3.8	3.8	3.8	3.8
		-8.5	-9.1	3.9	3.9	3.9	3.9	3.9	3.9
		-7.0	-7.6	4.0	4.0	4.0	4.0	4.0	4.0
		-5.0	-5.6	4.2	4.2	4.2	4.2	4.2	4.2
		-3.0	-3.7	4.4	4.4	4.4	4.4	4.4	4.4
		0.0	-0.7	4.7	4.6	4.6	4.6	4.6	4.4
		3.0	2.2	4.9	4.9	4.9	4.8	4.7	4.4
		5.0	4.1	5.1	5.1	5.0	4.8	4.7	4.4
		7.0	6.0	5.2	5.2	5.0	4.8	4.7	4.4
		9.0	7.9	5.4	5.3	5.0	4.8	4.7	4.4
		11.0	9.8	5.6	5.3	5.0	4.8	4.7	4.4
13.0	11.8	5.6	5.3	5.0	4.8	4.7	4.4		
15.0	13.7	5.6	5.3	5.0	4.8	4.7	4.4		

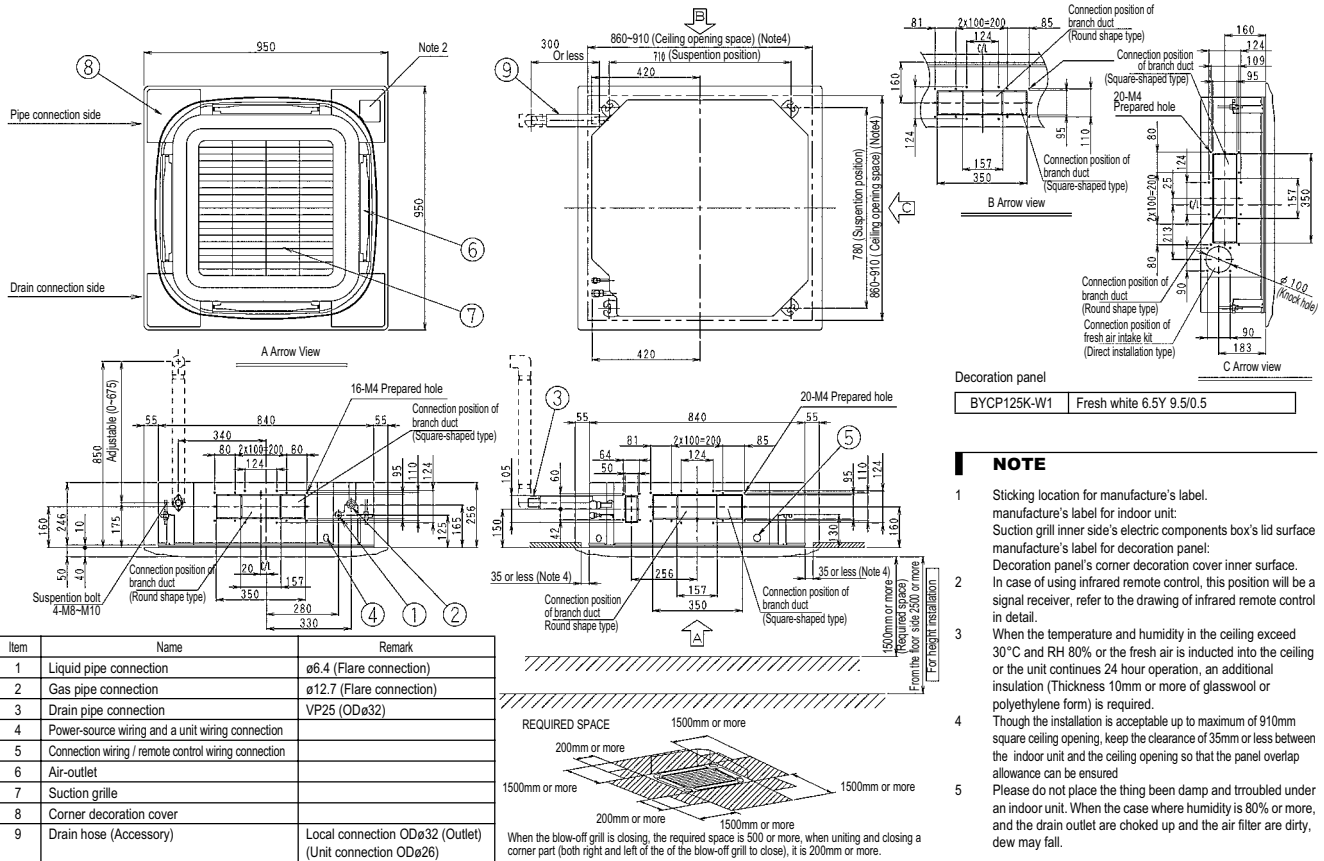
CA05A396

1
4

5 Dimensional drawing & centre of gravity

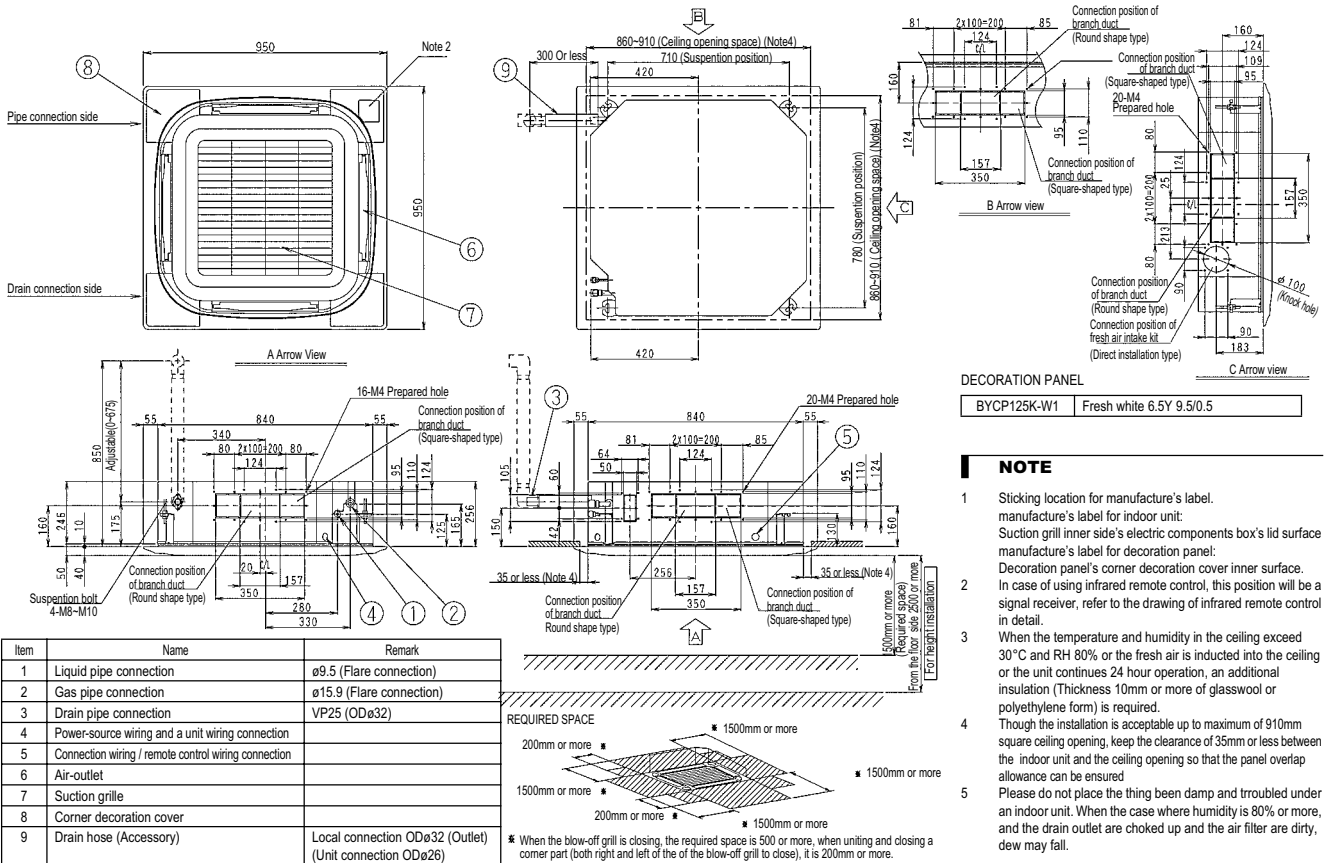
5 - 1 Dimensional drawing

FXFQ25,32,40,50PV9



3D060187A

FXFQ63,80PV9

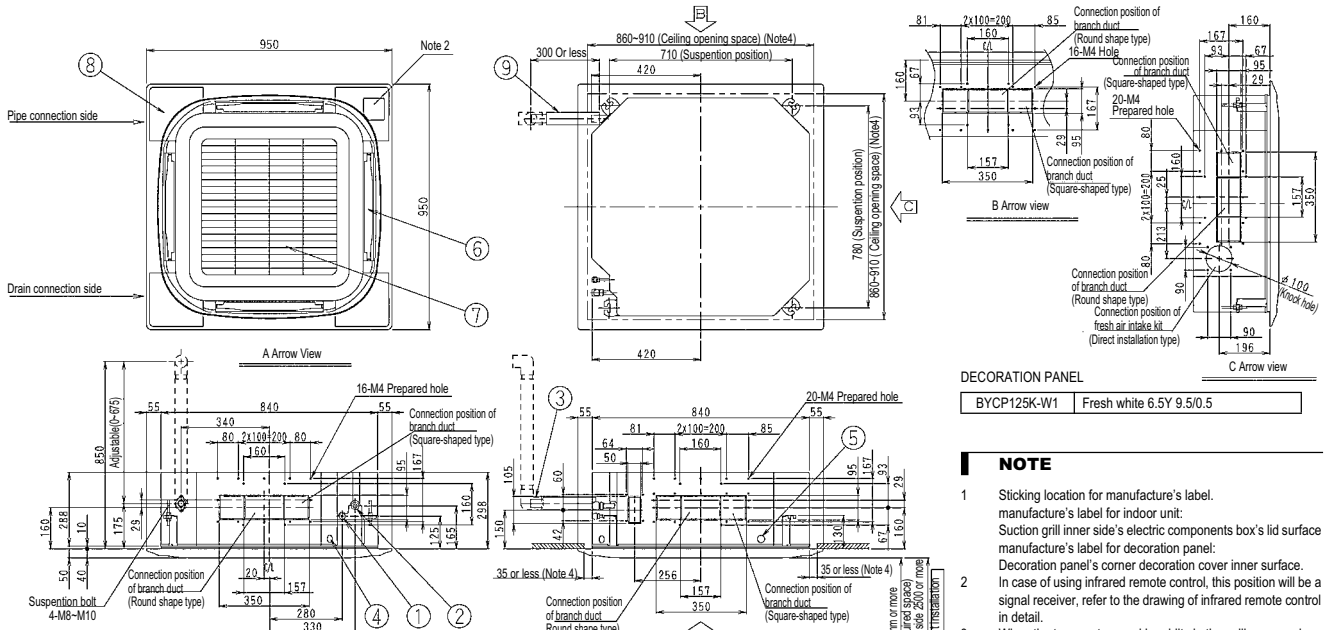


3D058460B

5 Dimensional drawing & centre of gravity

5 - 1 Dimensional drawing

FXFQ100,125PV9



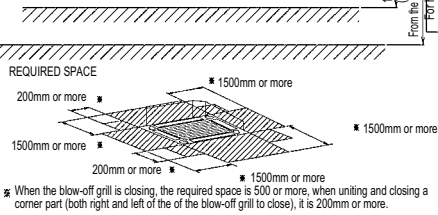
DECORATION PANEL

BYCP125K-W1	Fresh white 6.5Y 9.5/0.5
-------------	--------------------------

NOTE

- 1 Sticking location for manufacture's label.
 manufacture's label for indoor unit:
 Suction grill inner side's electric components box's lid surface
 manufacture's label for decoration panel:
 Decoration panel's corner decoration cover inner surface.
 In case of using infrared remote control, this position will be a signal receiver, refer to the drawing of infrared remote control in detail.
- 2 When the temperature and humidity in the ceiling exceed 30°C and RH 80% or the fresh air is inducted into the ceiling or the unit continues 24 hour operation, an additional insulation (Thickness 10mm or more of glasswool or polyethylene form) is required.
- 3 Though the installation is acceptable up to maximum of 910mm square ceiling opening, keep the clearance of 35mm or less between the indoor unit and the ceiling opening so that the panel overlap allowance can be ensured
- 4 Please do not place the thing been damp and troubled under an indoor unit. When the case where humidity is 80% or more, and the drain outlet are choked up and the air filter are dirty, dew may fall.

Item	Name	Remark
1	Liquid pipe connection	ø9.5 (Flare connection)
2	Gas pipe connection	ø15.9 (Flare connection)
3	Drain pipe connection	VP25 (ODø32)
4	Power-source wiring and a unit wiring connection	
5	Connection wiring / remote control wiring connection	
6	Air-outlet	
7	Suction grille	
8	Corner decoration cover	
9	Drain hose (Accessory)	Local connection ODø32 (Outlet) (Unit connection ODø26)

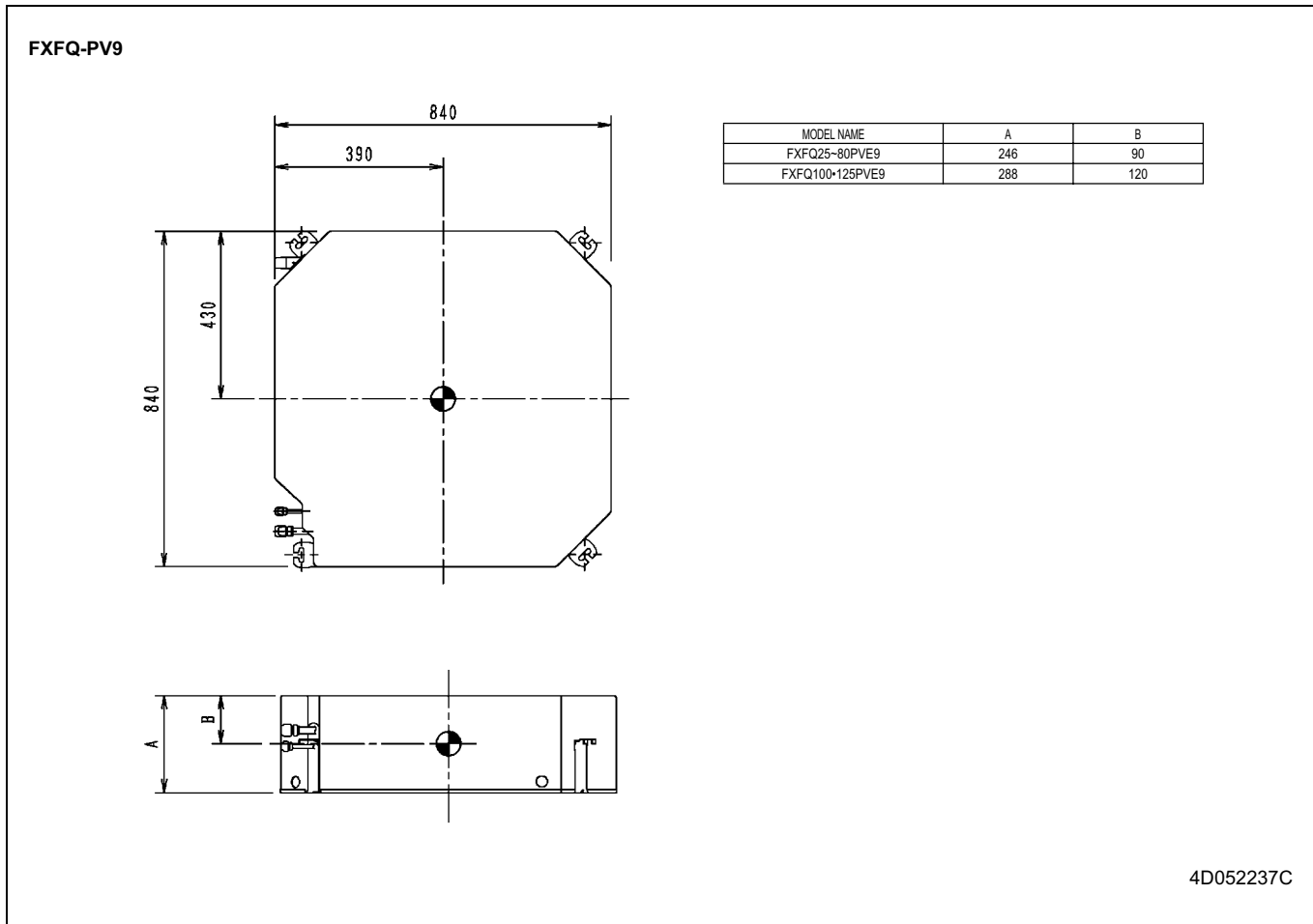


1
5

3D058469B

5 Dimensional drawing & centre of gravity

5 - 2 Centre of gravity

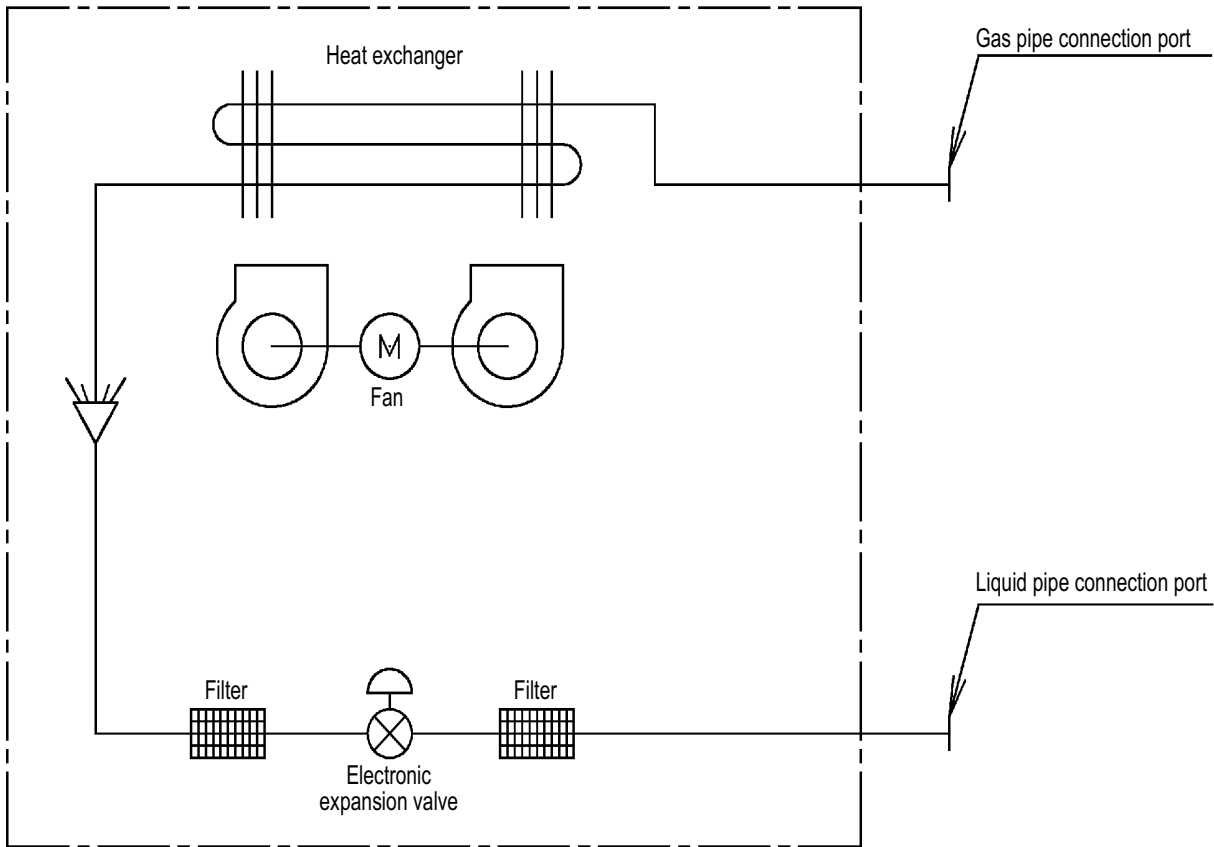


6 Piping diagram

1

6

FXFQ-PV9

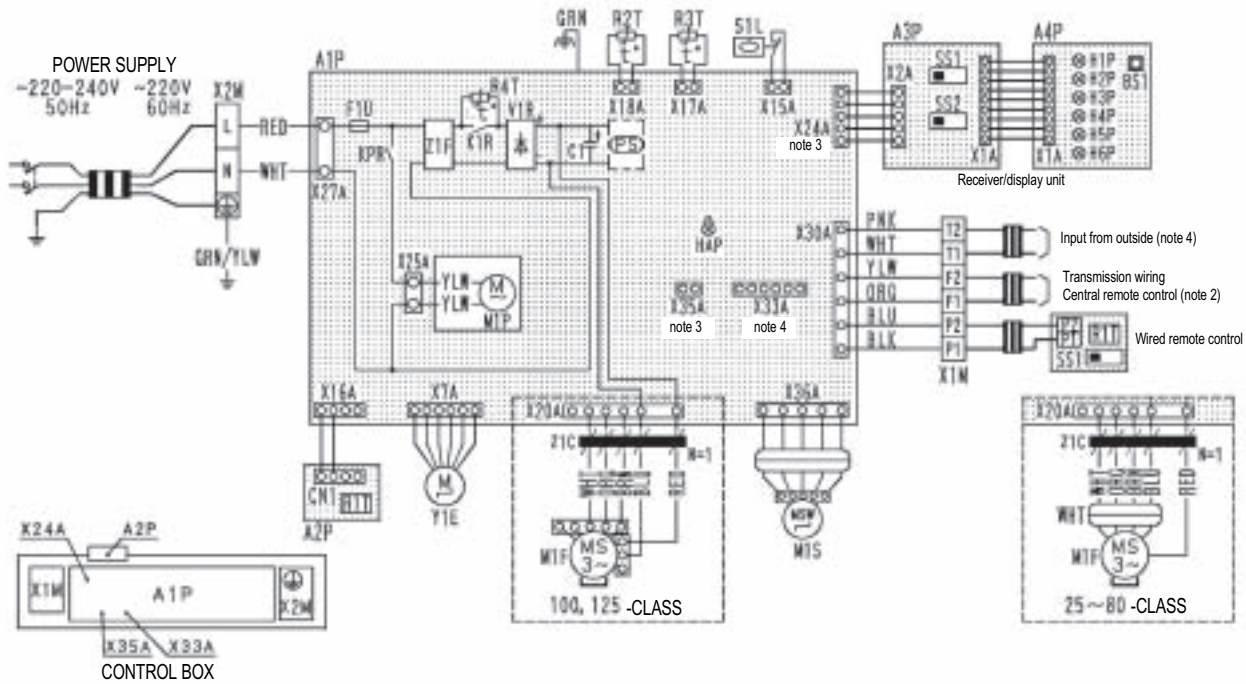


4D024460C

7 Wiring diagram

7 - 1 Wiring diagram

FXFQ-PV9



	Indoor unit	R4T	Thermistor PTC	H2P	Light emitting diode (timer-green)	
A1P	Printed circuit board	S1L	Float switch	H3P	Light emitting diode (filter sign-red)	
A2P	Printed circuit board	V1R	Diode bridge	H4P	Light emitting diode (defrost-orange)	
C1	Capacitor	X1M	Terminal strip	SS1	Selector switch (main/sub)	
F1U	Fuse (F, 5A, 250V)	X2M	Terminal strip	SS2	Selector switch (wireless address set)	
HAP	Light emitting diode (service monitor green)	Y1E	Electronic expansion valve	Connector for optional parts		
K1R	Magnetic relay	Z1C	Ferrite core	X24A	Connector (wireless remote control)	
KPR	Magnetic relay (M1P)	Z1F	Noise filter	X33A	Connector (adaptor for wiring)	
M1F	Motor (indoor fan)	(PS)	Power supply circuit	X35A	Connector (group control adaptor)	
M1P	Motor (drain pump)	Receiver/display unit (attached to infrared remote control)			Wired remote control	
M1S	Motor (swing flap)	A3P	Printed circuit board	R1T	Thermistor (AIR)	
R1T	Thermistor (AIR)	A4P	Printed circuit board	SS1	Selector switch (main/sub)	
R2T	Thermistor (coil liquid)	BS1	Push button (ON/OFF)			
R3T	Thermistor (coil gas)	H1P	Light emitting diode (on-red)			

- : Terminal
 : Connector
 : Field wiring
- Colors: RED: Red GRN: Green GRY: Gray
 BLK: Black ORG: Orange BLU: Blue
 WHT: White BRN: Brown
 YLW: Yellow PNK: Pink

3D059890A

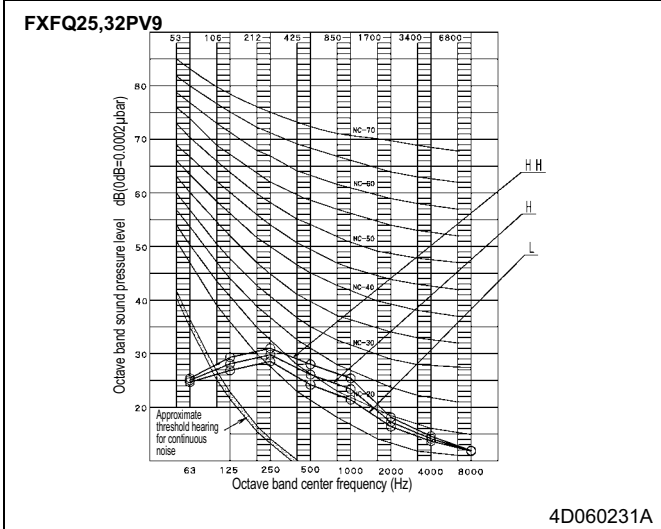
NOTES

- In case of using central remote control, connect it to the unit in accordance with the attached instruction manual.
- X24A, X33A and X35A are connected when the optional accessories are being used.
- When connecting the input wires from outside, forced off or on/off control operation can be selected by the remote control. See installation manual for more details.
- Confirm the method of setting the selector switch (SS1, SS2) by installation manual and engineering data, etc.

8 Sound data

8 - 1 Sound pressure spectrum

1
8

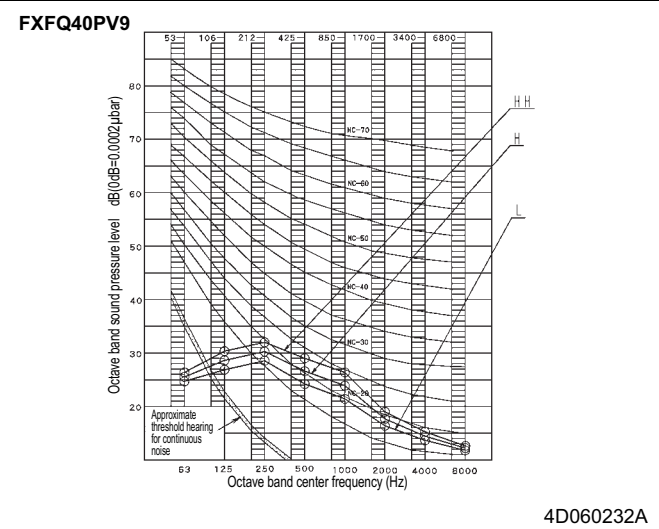


4D060231A

NOTES

- Operating conditons:
Power source: 220~240V 50Hz / 220V 60Hz
Cooling: Return air temperature: 27°C DB, 19°C WB
Outdoor temperature: 35°C DB, 24°C WB
Heating: Return air temperature: 20°C DB, 15°C WB
Outdoor temperature: 7°C DB, 6°C WB
- 4 direction discharge
- Measure in anechoic room
- Location of microphone

- Operation noise differs with operation and ambient conditions.

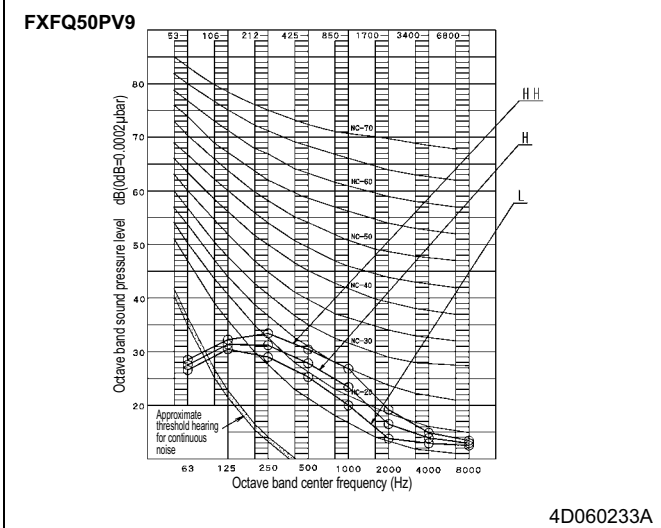


4D060232A

NOTES

- Operating conditons:
Power source: 220~240V 50Hz / 220V 60Hz
Cooling: Return air temperature: 27°C DB, 19°C WB
Outdoor temperature: 35°C DB, 24°C WB
Heating: Return air temperature: 20°C DB, 15°C WB
Outdoor temperature: 7°C DB, 6°C WB
- 4 direction discharge
- Measure in anechoic room
- Location of microphone

- Operation noise differs with operation and ambient conditions.

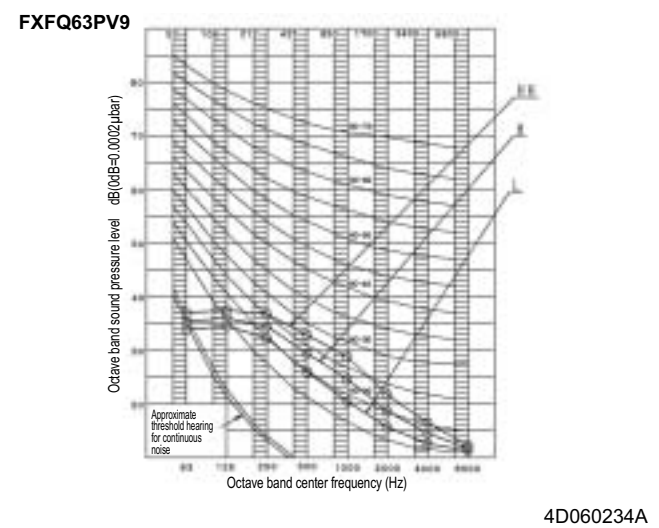


4D060233A

NOTES

- Operating conditons:
Power source: 220~240V 50Hz / 220V 60Hz
Cooling: Return air temperature: 27°C DB, 19°C WB
Outdoor temperature: 35°C DB, 24°C WB
Heating: Return air temperature: 20°C DB, 15°C WB
Outdoor temperature: 7°C DB, 6°C WB
- 4 direction discharge
- Measure in anechoic room
- Location of microphone

- Operation noise differs with operation and ambient conditions.



4D060234A

NOTES

- Operating conditons:
Power source: 220~240V 50Hz / 220V 60Hz
Cooling: Return air temperature: 27°C DB, 19°C WB
Outdoor temperature: 35°C DB, 24°C WB
Heating: Return air temperature: 20°C DB, 15°C WB
Outdoor temperature: 7°C DB, 6°C WB
- 4 direction discharge
- Measure in anechoic room
- Location of microphone

- Operation noise differs with operation and ambient conditions.

8 Sound data

8 - 1 Sound pressure spectrum

FXFQ80PV9

4D060235A

NOTES

- Operating conditions:
 Power source: 220~240V 50Hz / 220V 60Hz
 Cooling: Return air temperature: 27°C DB, 19°C WB
 Outdoor temperature: 35°C DB, 24°C WB
 Heating: Return air temperature: 20°C DB, 15°C WB
 Outdoor temperature: 7°C DB, 6°C WB
- 4 direction discharge
- Measure in anechoic room
- Location of microphone

Over all (dB)

Scale	Mode		
	HH	H	L
A	36.0	33.5	31.0
C	42.0	39.8	37.6

(B.G.N is already rectified)

FXFQ100PV9

4D060236A

NOTES

- Operating conditions:
 Power source: 220~240V 50Hz / 220V 60Hz
 Cooling: Return air temperature: 27°C DB, 19°C WB
 Outdoor temperature: 35°C DB, 24°C WB
 Heating: Return air temperature: 20°C DB, 15°C WB
 Outdoor temperature: 7°C DB, 6°C WB
- 4 direction discharge
- Measure in anechoic room
- Location of microphone

Over all (dB)

Scale	Mode		
	HH	H	L
A	43.0	37.5	32.0
C	49.0	43.0	37.0

(B.G.N is already rectified)

FXFQ125PV9

4D060237A

NOTES

- Operating conditions:
 Power source: 220~240V 50Hz / 220V 60Hz
 Cooling: Return air temperature: 27°C DB, 19°C WB
 Outdoor temperature: 35°C DB, 24°C WB
 Heating: Return air temperature: 20°C DB, 15°C WB
 Outdoor temperature: 7°C DB, 6°C WB
- 4 direction discharge
- Measure in anechoic room
- Location of microphone

Over all (dB)

Scale	Mode		
	HH	H	L
A	44.0	39.0	34.0
C	50.0	45.0	40.0

(B.G.N is already rectified)



Daikin's unique position as a manufacturer of air conditioning equipment, compressors and refrigerants has led to its close involvement in environmental issues. For several years Daikin has had the intension to become a leader in the provision of products that have limited impact on the environment. This challenge demands the eco design and development of a wide range of products and an energy management system, resulting in energy conservation and a reduction of waste.



Daikin Europe N.V. is approved by LRQA for its Quality Management System in accordance with the ISO9001 standard. ISO9001 pertains to quality assurance regarding design, development, manufacturing as well as to services related to the product.



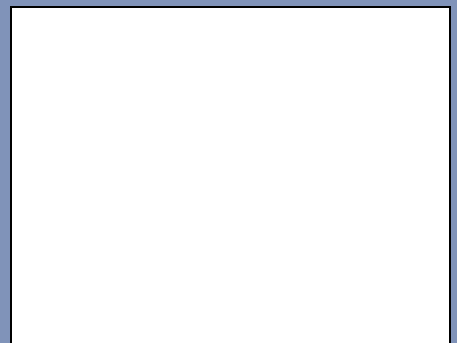
ISO14001 assures an effective environmental management system in order to help protect human health and the environment from the potential impact of our activities, products and services and to assist in maintaining and improving the quality of the environment.



Daikin units comply with the European regulations that guarantee the safety of the product.

VRV® products are not within the scope of the Eurovent certification programme.

The present publication is drawn up by way of information only and does not constitute an offer binding upon Daikin Europe N.V.. Daikin Europe N.V. has compiled the content of this publication to the best of its knowledge. No express or implied warranty is given for the completeness, accuracy, reliability or fitness for particular purpose of its content and the products and services presented therein. Specifications are subject to change without prior notice. Daikin Europe N.V. explicitly rejects any liability for any direct or indirect damage, in the broadest sense, arising from or related to the use and/or interpretation of this publication. All content is copyrighted by Daikin Europe N.V..



DAIKIN EUROPE N.V.

Naamloze Vennootschap
Zandvoordestraat 300
B-8400 Oostende, Belgium
www.daikin.eu
BTW: BE 0412 120 336
RPR Oostende