

4,5,6HP : AJY040LCLAH / AJY045LCLAH / AJY054LCLAH

### System outline

#### Space saving and low sound level design

Economical individual air conditioning is realized by ALL-DC technology, large capacity DC twin rotary compressor, and 3-row heat exchanger though the size is compact. room comfortable quickly.

#### Flexible systems for homes, shops, small-size buildings air conditioning

Due to compact size design and flexible piping design, J-IIS series can be installed easily at the place where the installation space is limited such as homes, shops, and small offices. Multiple indoor units of various capacities and types can be connected.



## Airstage J-IIS Range

### Feature

#### Small and light weight outdoor unit

This model is much more compact than conventional 6HP comparable outdoor units. Even when installed on the balcony it fits within the height of the fence. The compact size with a height of less than 1 m allows it to be installed under windows and in tight spaces

### Feature

#### Advanced high efficiency technology

The room temperature can be set to go no lower than 10°C, thus ensuring that the room does not get too cold when not occupied.

### Feature

#### Long piping length

Our advanced refrigerant control technology allows us to achieve a total refrigerant piping length of 80 m. This opens up new possibilities in system design.

### Feature

#### Easier installation

**Connection check function** : Possible to confirm whether wiring connection and address setting are correct by a quick check run function.

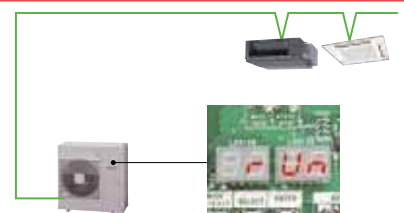
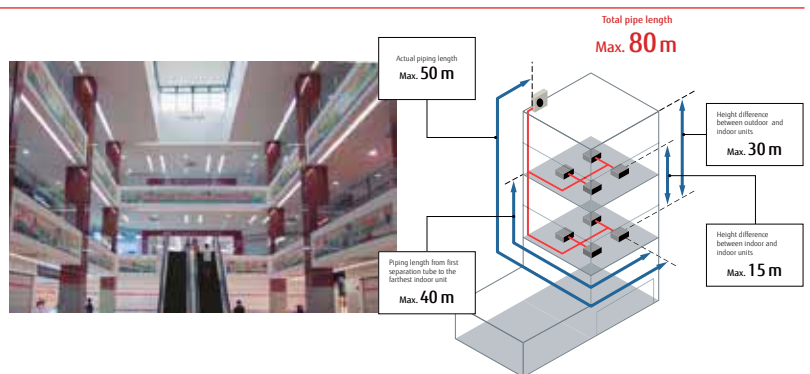
Current model / 6HP class  
Height:1334 mm  
Weight:117 kg

Model / 6HP class

Height difference  
**998 mm**  
▲ 25%

Light weight  
**87 kg**  
▲ 26%

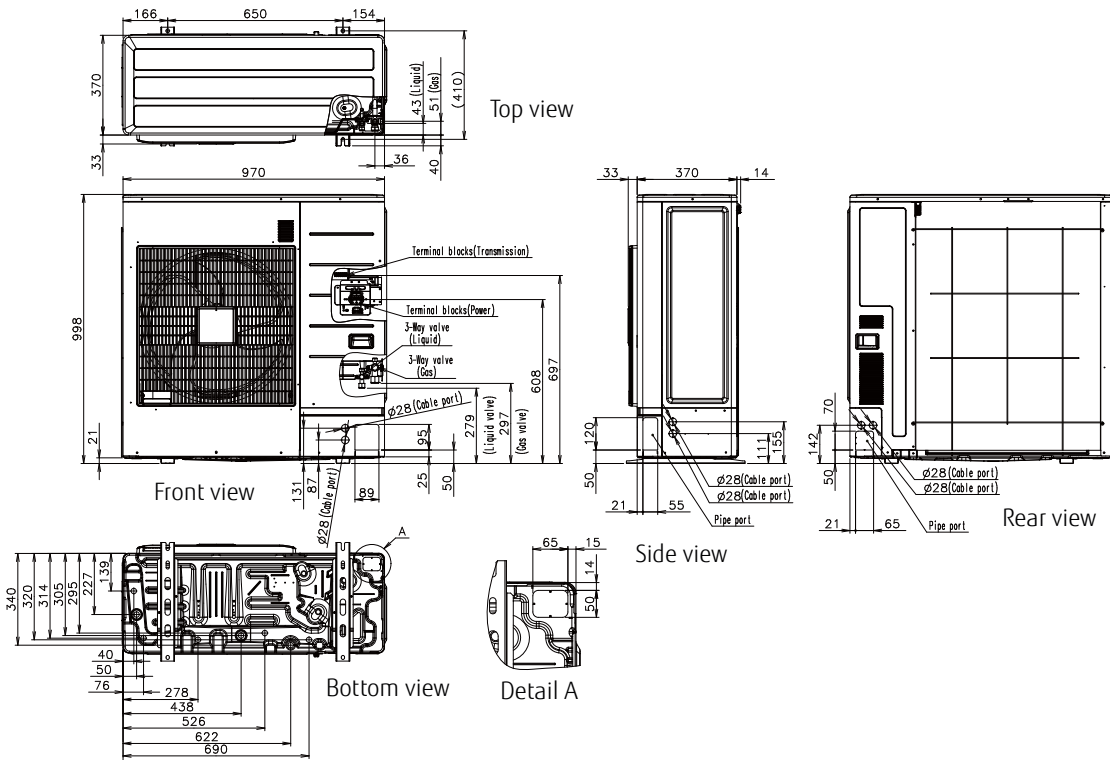
It Can be Easily Carried and Installed Obscure Place



- Display connected indoor unit numbers
- Duplicately set address number of indoor unit can be displayed

## Dimensions

(Unit : mm)



## Specifications

(TENTATIVE)

Rating capacity range	HP	4	5	6
Model name		AJY040LCLAH	AJY045LCLAH	AJY054LCLAH
Maximum connectable indoor unit		7	8	8
Power source	V/∅/Hz	230/1/50	230/1/50	230/1/50
Capacity	Cooling kW	12.1	14.0	15.1
	Heating kW	13.6	16.0	16.5
Input power	Cooling kW	3.44	4.43	5.32
	Heating kW	3.09	3.93	4.26
EER	Cooling W/W	3.52	3.16	2.84
COP	Heating W/W	4.40	4.07	3.87
Airflow rate	m³/h	4,040	4,200	4,200
Sound Pressure Power level	Cooling dB (A)	51 / 67	53 / 69	54 / 70
	Heating dB (A)	54 / 68	55 / 69	56 / 70
Min Recc MCB	AMP	32	32	32
Dimensions	Height mm	998	998	998
	Width mm	970	970	970
	Depth mm	370	370	370
Weight	kg	86	86	87
Refrigerant charge	kg	4.0	4.0	4.0
Connection Pipe diameter	Liquid mm	3/8	3/8	3/8
	Gas mm	5/8	5/8	5/8
Total pipe length	m	80	80	80
Max. Height difference	m	30	30	30
Operation Range	Cooling °C	-5 to 46	-5 to 46	-5 to 46
	Heating °C	-20 to 21	-20 to 21	-20 to 21

Note : Specifications are based on the following conditions.

Cooling : Indoor temperature of 27°CDB / 19°CWB, and outdoor temperature of 35°CDB / 24°CWB.

Heating : Indoor temperature of 20°CDB / (15°CWB), and outdoor temperature of 7°CDB / 6°CWB.

Pipe length : 7.5 m; Height difference between outdoor unit and indoor unit : 0 m.

The protective function may work when using it outside the operation range.

Note

•Cooling/heating capacities are based on the following conditions.

Cooling	Indoor temperature 23°CDB / 16°CWB Outdoor temperature 30°C
---------	----------------------------------------------------------------

- Performance test is in accordance with EN14511
- Seasonal efficiency test is in accordance with EN14825
- Sound power test is in accordance with EN12102



- Specifications and design are subject to change without notice for further improvement.
- Actual products' colours may be different from the colours shown in this printed material.

Distributed by :

**FUJITSU GENERAL AIR CONDITIONING (UK) LTD**  
Unit 150 Centennial Park, Centennial Avenue, Elstree, Herts. WD6 3SG  
www.fujitsu-general.com/uk

Tel: +44 (0)208 731 3450 Fax: +44 (0)208 731 3451

Copyright© 2016 Fujitsu General Limited. All rights reserved. 3EFNP10-1510E