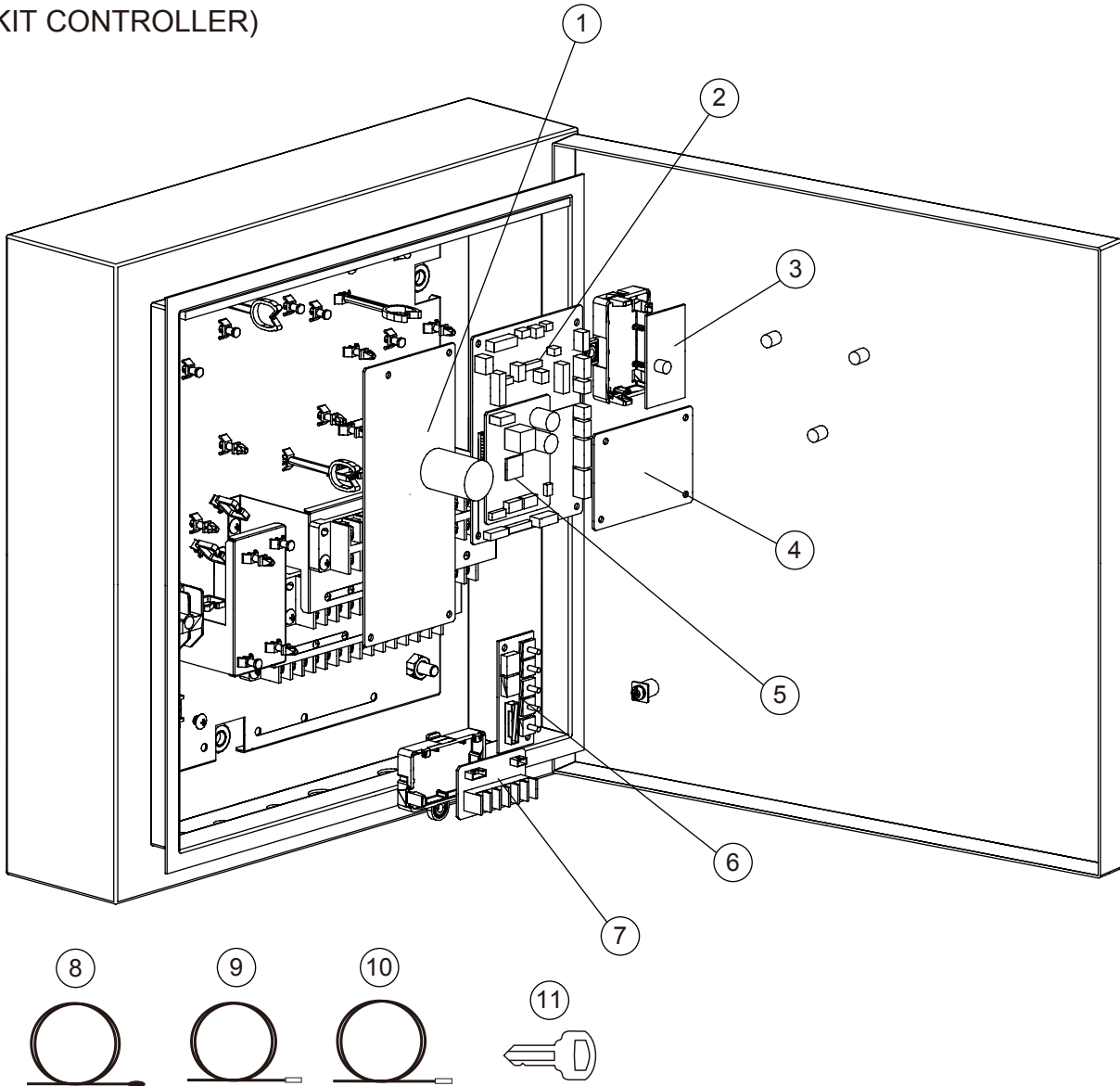


PARTS LIST

MODEL: UTY-VDGX
(DX-KIT CONTROLLER)



Ref No.	Description	Parts No.	Q'ty
1	POWER SUPPLY PCB	9708975115	
2	CONTROL PCB	9709709030	
3	ANALOG PCB	9709792001	
4	RELAY BOARD	9709876008	
5	TRANSMISSION PCB	9709373019	
6	SWITCH PCB	9707732016	
7	TERMINAL PCB	9707736038	
8	THERMISTOR (INLET AIR OR OUTLET AIR)	9900862008	
9	THERMISTOR (GAS)	9900864002	
10	THERMISTOR (LIQUID)	9900863005	
11	KEY	9381323005	