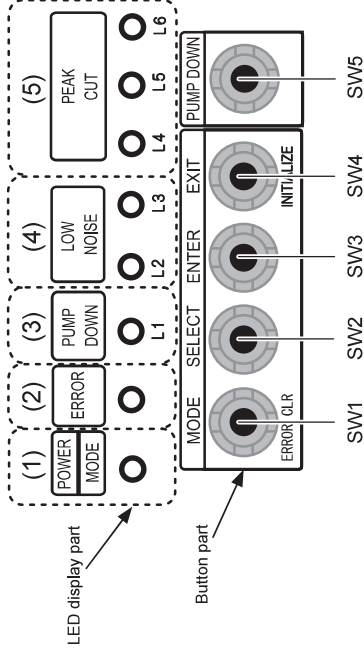


ERROR DETECTION

OUTDOOR UNIT ERROR CODE DISPLAY

You can determine the operating status by the lighting up and blinking of the LED lamp.



Display when an error occurs

POWER MODE	ERROR	LOW NOISE		PEAK CUT			
		(L1)	(L2)	(L3)	(L4)	(L5)	(L6)
●	Blink (Hi speed)	○	○	○	○	○	○

Sign "○": Lights off, "●": Lights on

- (1) Check that the "ERROR" LED blinks, then press the [Enter] button once.
- (2) For details, refer to the following table.

Display mode ● : ON
○ : OFF
◆ : Blink (0.5s ON / 0.5s OFF)
() : Number of flashing

Error code check table

POWER MODE	ERROR	LED display						DESCRIPTION	REMARK		
		PUMP DOWN		LOW NOISE		PEAK CUT					
		(L1)	(L2)	(L3)	(L4)	(L5)	(L6)				
◆(2)	●	◆(1)	◆(1)	○	○	○	○	○	○	Serial communication error	Serial forward transmission error immediately after operation
◆(2)	●	◆(1)	◆(1)	○	○	○	○	○	○	Indoor unit capacity error	Serial forward transmission error during operation
◆(2)	●	◆(2)	◆(2)	○	○	○	○	○	○	Indoor unit error	Indoor unit capacity error
◆(2)	●	◆(5)	◆(15)	○	○	○	○	○	○	Indoor unit error	Indoor unit error
◆(2)	●	◆(6)	◆(2)	○	○	○	○	○	○	Outdoor unit main PCB error	Outdoor unit PCB model information error
◆(2)	●	◆(6)	◆(3)	○	○	○	○	○	○	Inverter PCB error	Inverter error
◆(2)	●	◆(6)	◆(5)	○	○	○	○	○	○	IPM error	Trip terminal L error
◆(2)	●	◆(7)	◆(1)	○	○	○	○	○	○	Discharge temp. sensor error	Discharge temp. sensor 1 error
◆(2)	●	◆(7)	◆(2)	○	○	○	○	○	○	Compressor temp. sensor error	Compressor temp. sensor 1 error
◆(2)	●	◆(7)	◆(3)	○	○	○	○	○	○	Outdoor unit Heat Ex. sensor error	Heat Ex. middle temp. sensor error
◆(2)	●	◆(7)	◆(3)	○	○	○	○	○	○	Outdoor temp. sensor error	Outdoor unit Heat Ex. liquid temp. sensor error
◆(2)	●	◆(7)	◆(4)	○	○	○	○	○	○	Outdoor temp. sensor error	Outdoor temp. sensor error
◆(2)	●	◆(7)	◆(7)	○	○	○	○	○	○	Heat sink temp. sensor error	Heat sink temp. sensor error
◆(2)	●	◆(8)	◆(4)	○	○	○	○	○	○	Current sensor error	Current sensor 1 error (stoppage permanently)
◆(2)	●	◆(8)	◆(6)	○	○	○	○	○	○	Pressure sensor error	High pressure switch 1 error
◆(2)	●	◆(8)	◆(6)	○	○	○	○	○	○	Pressure sensor error	Pressure sensor error
◆(2)	●	◆(9)	◆(4)	○	○	○	○	○	○	Trip detection	Trip detection
◆(2)	●	◆(9)	◆(5)	○	○	○	○	○	○	Compressor motor control error	Rotor position detection error (stoppage permanently)
◆(2)	●	◆(9)	◆(7)	○	○	○	○	○	○	Outdoor unit fan motor 1 error	Duty error
◆(2)	●	◆(9)	◆(8)	○	○	○	○	○	○	Outdoor unit fan motor 2 error	Duty error
◆(2)	●	◆(9)	◆(9)	○	○	○	○	○	○	4-way valve error	4-way valve error
◆(2)	●	◆(10)	◆(1)	○	○	○	○	○	○	Discharge temp. 1 error	Discharge temp. 1 error
◆(2)	●	◆(10)	◆(3)	○	○	○	○	○	○	Compressor temp. error	Compressor 1 temp. error
◆(2)	●	◆(10)	◆(5)	○	○	○	○	○	○	Pressure error 2	Low pressure error