

# Network convertor (UTR-YGCA) INSTALLATION MANUAL

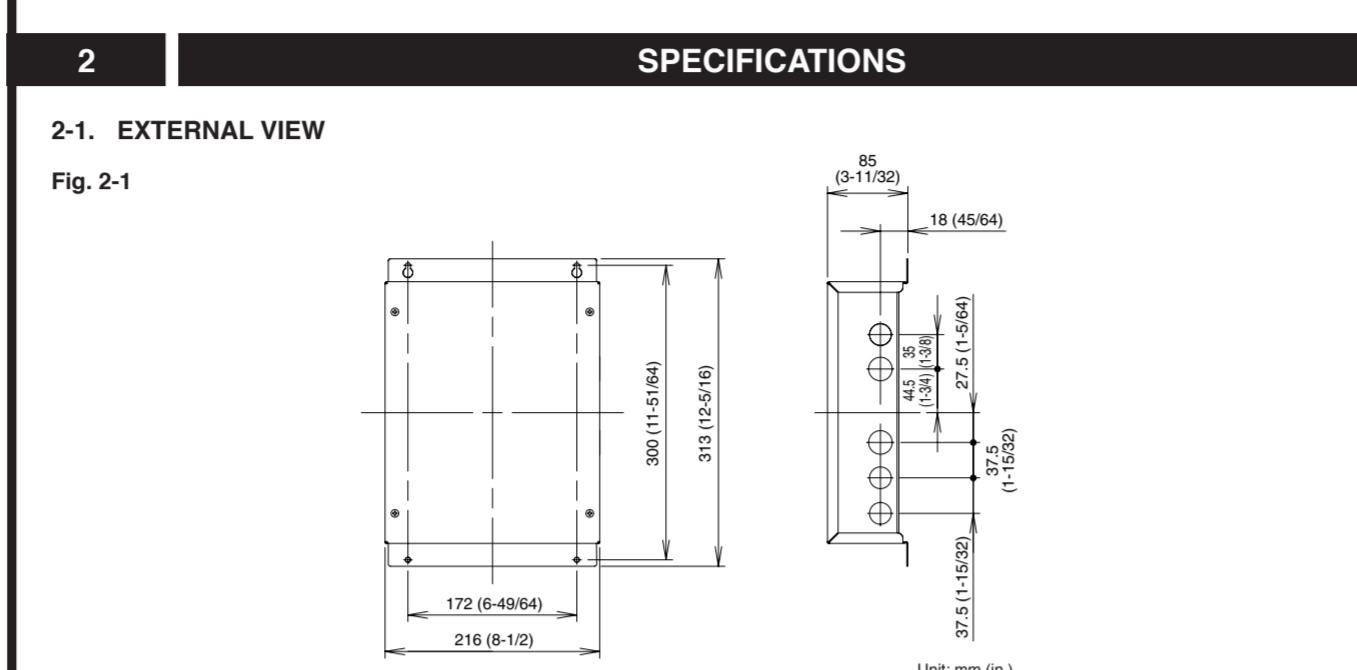
(PART NO. 9375401016-04)

For safe installation and trouble-free operation, you must:  
 • Carefully read this installation manual before beginning.  
 • Pay close attention to all warning, and caution notices given in this manual.

<b>WARNING!</b>	This mark indicates procedures which, if improperly performed, might lead to the death or serious injury of the user.
①	Install it as outlined in this installation sheet.
②	Installation and maintenance work must be performed by authorized company or service personnel only.
③	When moving, consult authorized service personnel for disconnection and installation of the unit.
④	Connect the unit with cords available from our standard parts. This installation manual describes the correct connections using the installation set available from our standard parts.
⑤	Installation work must be performed in accordance with national wiring standards by authorized personnel only.
⑥	Do not supply power to the unit until all wiring are completed or reconnected and checked.
⑦	Highly dangerous electrical voltages are used in this system. Carefully refer to the wiring diagram and these instructions when wiring. Improper connections and inadequate grounding can cause accidental injury or death.
⑧	In the event of a malfunction (burning smell, etc.), immediately stop operation, turn off the electric breaker, and consult authorized service personnel.
⑨	Do not use inflammable gases near the unit.

<b>CAUTION!</b>	This mark indicates procedures which, if improperly performed, might possibly result in personal harm to the user, or damage to property.
①	Be careful not to scratch the unit when handling it.
②	Touching sharp edges may cause injury.
③	Let the customer keep this installation manual because it is used when the air conditioner is serviced or moved.

PARTS INCLUDE					
The following installation parts are supplied. Use them as required.					
Name and Shape	Q'ty	Name and Shape	Q'ty	Name and Shape	Q'ty
Main unit	1	Tapping screw (M4 × 20 mm)	4	Binder (Push mount)	3
				Cord bushing	2



### 2-2. ENVIRONMENT SPECIFICATIONS

Dimensions (H × W × D)	85 × 216 × 313 mm (3-11/32 × 8-1/2 × 12-5/16 in.)	
Weight (Net)	1.8 kg (4.0 lbs.)	
Power source	AC 208V – 240V 50/60Hz	
Power consumption	2.0 W	
Environment	Operating Temperature	0 – 46 °C (32 – 115 °F)
	Packaged Temperature	-10 – 60 °C (14 – 140 °F)
	Humidity	10 – 90 %RH (no condensation)

### 2-3. Connected unit

Item	Description
Air conditioner	VRF J-series
Remote controller	Group remote controller

### ELECTRICAL REQUIREMENT

**WARNING**

- Install a leakage circuit breaker to power supply line in accordance with the related laws and regulations and electric company standards.
- The circuit breaker is installed in the permanent wiring. Always use a circuit that can trip all poles of the wiring and has an isolation distance of at least 3 mm between the contacts of each pole.

**CAUTION**

- Do not use an extension cord.
- When installing the bus wire near a source of electromagnetic waves, use shielded wire.

Item	Size	Wire type	Remarks
Power supply cord	Maximum	2.5 mm <sup>2</sup> (AWG14)	Type245 IEC57 or equivalent Power source and signals: 3 Ground: 1
	Minimum	1.5 mm <sup>2</sup> (AWG15)	
Remote controller cord	0.33 mm <sup>2</sup> (AWG22)	Shield cord	Polar 3-core

### SELECTING THE MOUNTING POSITION

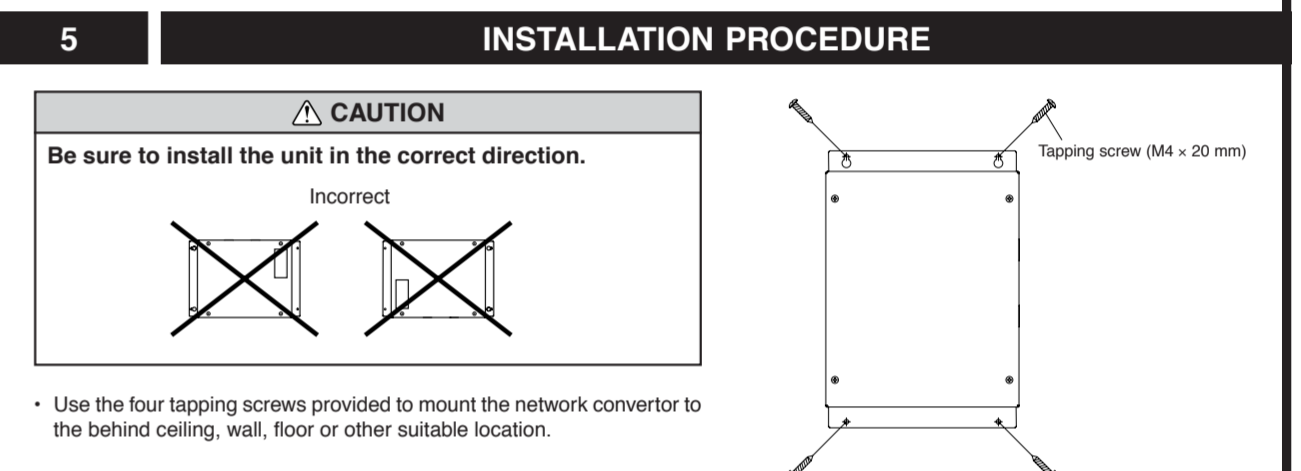
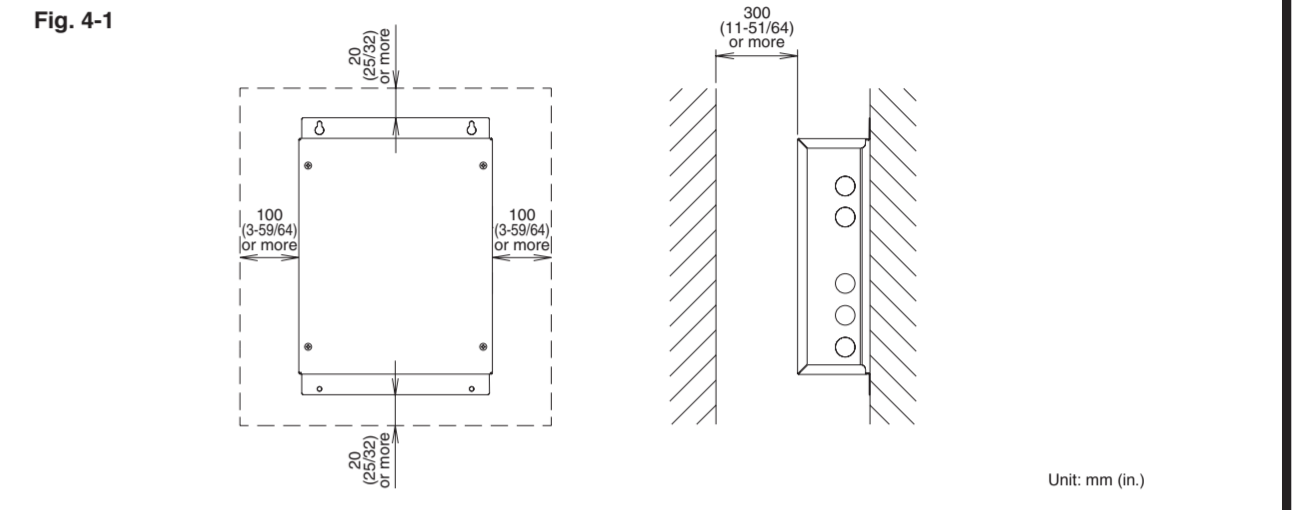
**WARNING**

Install at a place that can withstand the weight of the unit and install positively so that the unit will not topple or fall.

**CAUTION**

- Do not install the unit in a location with any of the following conditions.
  - There is the danger of combustible gas leakage.
  - Near a fireplace or other heating apparatus.
  - There is oily smoke, machine oil (i.e. factory), salty environment with direct sea breeze.
  - There is too much of dust.
  - Corrosive gas such as sulphurous acid gas is generated.
  - Not well-ventilated place not avoiding rains and direct sunlight.
- If children under 10 years old may approach the unit, take preventive measures so that they cannot reach the unit.
- Install the indoor and outdoor units, power wiring, signal wiring and remote control wiring 1 m away from television and radio to avoid distorted images and noise. (However, distorted noise may not be avoidable even if units and wiring mentioned above are installed 1 m away from television and radio depending on conditions of electrical waves).

Decide the mounting position with the customer as follows:  
 (1) Install the unit where the connection wire can be easily installed.  
 (2) Take servicing, etc. into consideration and leave the spaces shown in Fig. 4-1.



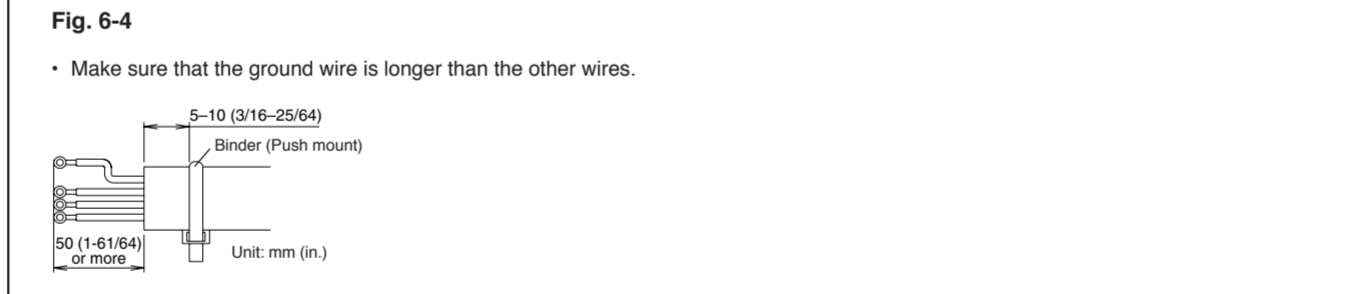
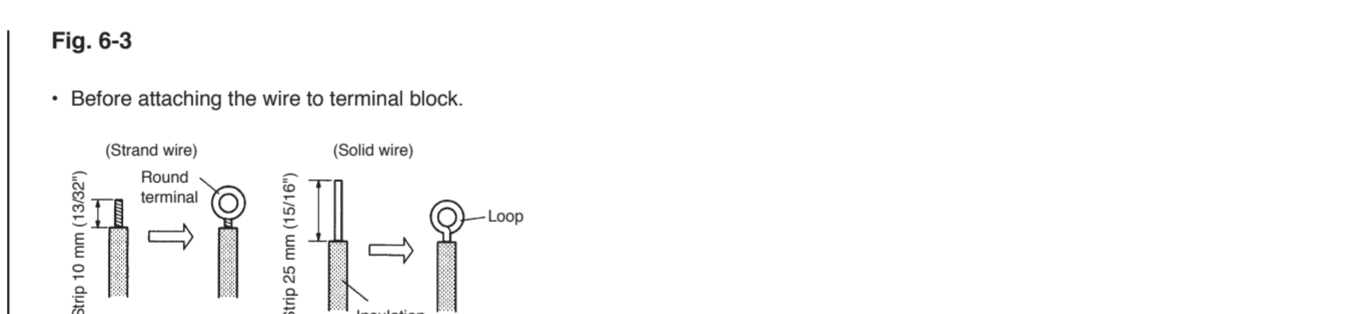
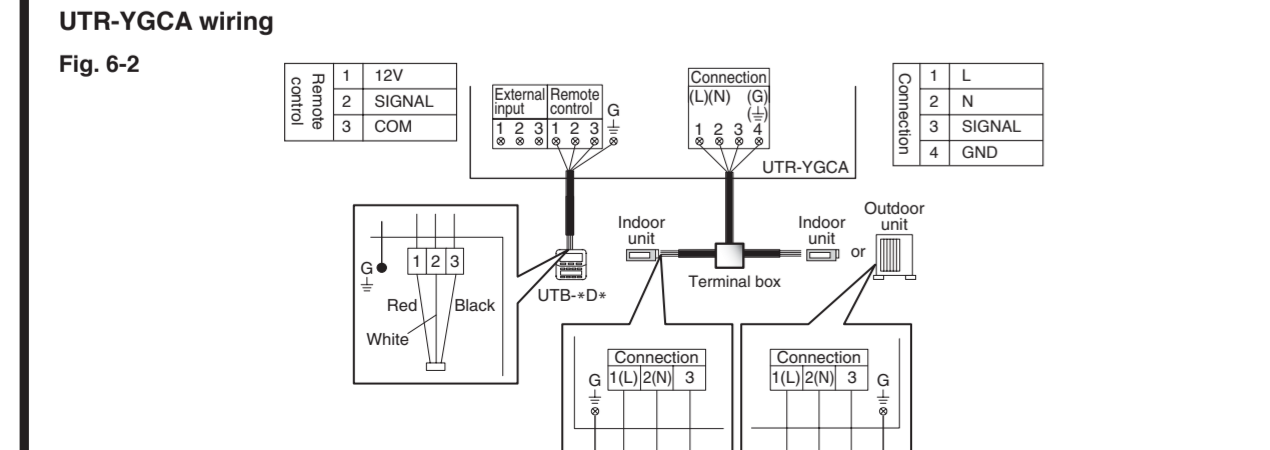
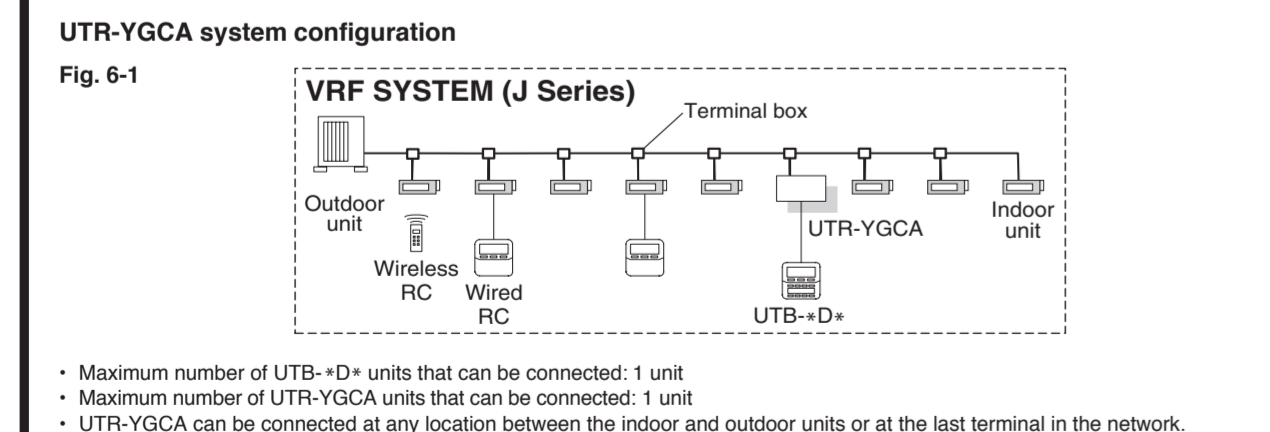
### 6. WIRING

**WARNING**

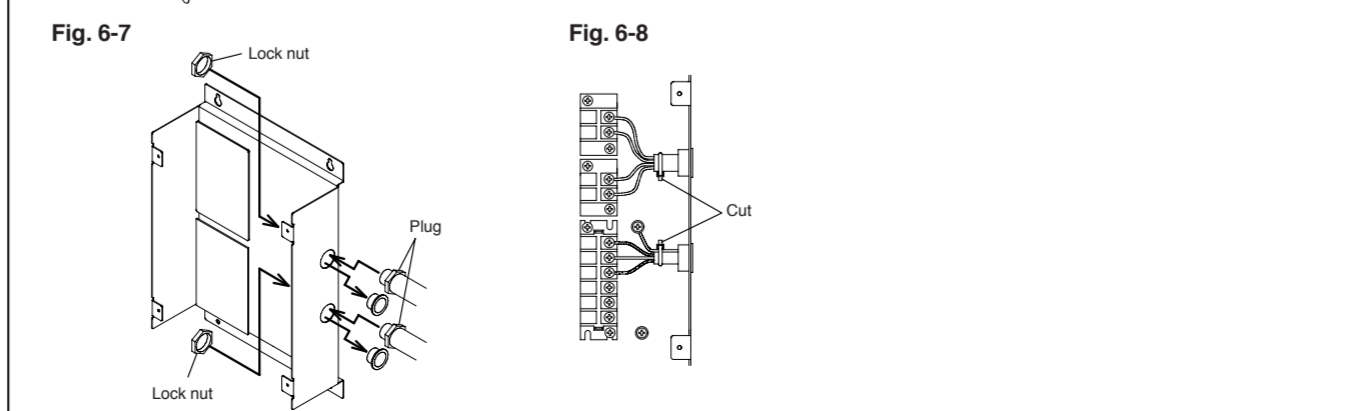
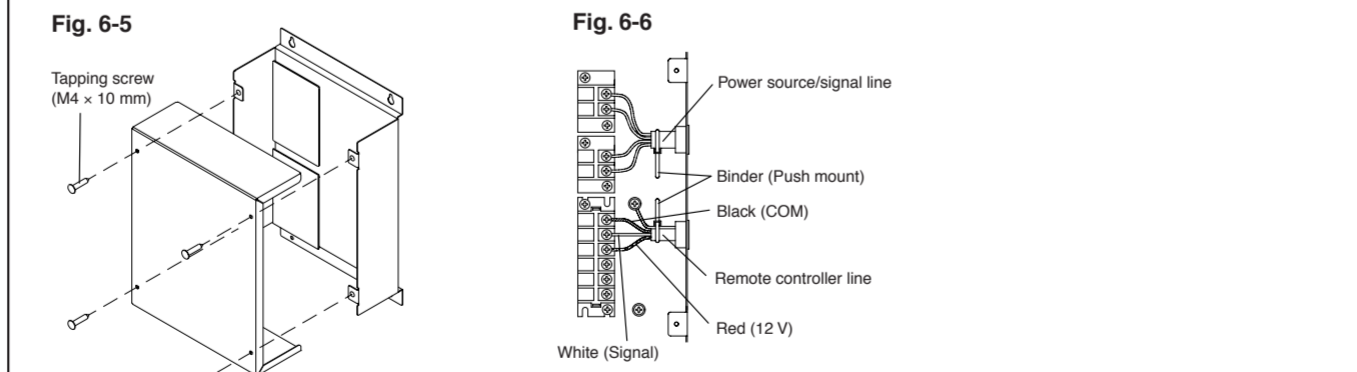
- Before starting work, check that power is not being supplied to all units.
- Connect the connection cord firmly to the terminal board. Imperfect installation may cause a fire.
- Match the terminal board numbers. Erroneous wiring may cause burning of the electric parts.
- Always provide a trap and take other such measures when wiring the power supply cord and transmission cord so that water does not travel along them and into the unit.
- Always fasten the outside covering of the connection cord with the binder (push mount). If the insulator is chafed, electric leakage may occur.
- Ground the unit following local electrical codes.

**CAUTION**

- Touch metal part of the units for more than 10 seconds to discharge static electricity charged in the body.
- Do not touch terminals of parts and patterns implemented on board.
- Never connect the power supply cord to remote controller terminal board as this cause a unit failure.
- The remote control wires must be connected in the order 3. Black → 1. Red → 2. White.
- Never bundle the power supply cord, transmission cord and remote controller cord together. Bundling these cords together will cause misoperation.



- Remove the four screws (M4 × 10 mm), and then remove the cover. (Fig. 6-5)
- Pass the power supply cords, remote controller cords through the cord bushing and pull it into the unit. (Fig. 6-6)
- When using a conduit, install the conduit after removing the cord bushing. (Fig. 6-7)
- Form the binder (push mount) provided into a ring shape and pass each of the cords (power supply/signal line cord, remote controller line cord) through it.
- Route the power supply cord and remote controller cords to their respective terminal board and ground properly.
- After the wiring of the cords, press the binder (push mount) that had been shaped into a ring and insert it in the hole in the box for securing the binder (push mount).
- Securely tighten the binder and then confirm that the cord will not come out. (Fig. 6-8)



### 7. CONFIRMING OPERATION

- Check the unit wiring.
  - Check the wiring and switch settings for VRF system. For the wiring and switch settings method, refer to the installation manual of each unit.
  - Turn on the power for the VRF system.
  - Turn on the power for network convertor.
  - Confirm that there are no errors displayed on the network convertor, and then install the cover. (Turn off the power before installing the cover.)
- The unit is initialized after turned on the power.
  - During the initialization, D110 will flash.
  - If initialization is completed successfully, D110 will come on.
  - If initialization is not completed successfully, an error code will be displayed. (Table 7-1)



Table 7-1

Error code	Error contents
□ □	Normal
E0 09	System malfunction
E2 09	Bottom circuit board connected incorrectly
E3 09	Middle circuit board connected incorrectly
E0 0b	Main circuit board maintenance error
E2 0b	Middle circuit board maintenance error
E3 0b	Bottom circuit board maintenance error

EC DECLARATION OF CONFORMITY  
 CE-KONFORMITÄTSERKLÄRUNG  
 DECLARATION DE CONFORMITE-CE  
 CE DECLARACION DE CONFORMIDAD  
 DICHIARAZIONE DI CONFORMITA CE  
 ΔΗΛΩΣΗ ΕΓΚΡΙΣΗΣ ΚΑΤΑΛΗΛΟΤΗΤΑΣ  
 CE VERKLARING VAN OVEREENSTEMMING

EG-FÖRSÄKRAN OM ÖVERENSSTÄMMELSE  
 DECLARAÇÃO DE CONFORMIDADE DA COMUNIDADE EUROPEIA (CE)  
 ДЕКЛАРАЦИЯ О СООТВЕТСТВИИ СТАНДАРТАМ ЕВРОПЕЙСКОГО СООБЩЕСТВА (ЕС)  
 ΕΚΦΑΡΑΧΙΑ ΖΗΘΟΝΟΣΙ CE  
 EU-VAATIMUSTENMUKAISUUSVAKUUTUS

FUJITSU GENERAL (EURO) GmbH  
 Werftstraße 20, D-40549 Düsseldorf, F. R. Germany

declares under its sole responsibility that the air conditioning models  
 erklärt hiermit, daß die nachfolgend bezeichneten Raumklimageräte  
 déclare sous sa seule responsabilité que les modèles de climatiseur ci-dessous  
 declara bajo su exclusiva responsabilidad que los modelos de acondicionadores de aire  
 dichiara sotto la sua unica responsabilità che i condizionatori d'aria modelli  
 δηλώνει, ότι με δική της υπευθυνότητα τα μοντέλα των κλιματιστικών  
 verklaart onder eigen verantwoordelijkheid dat de airconditioning-modellen  
 intygat på eget ansvar att luftkonditioneringsmodellerna  
 declara sob sua responsabilidade que os modelos de ar condicionado  
 заявляет под свою исключительную ответственность, что модели кондиционеров  
 oświadcza na wyłączną odpowiedzialność, że klimatyzatory  
 vakuuttaa omalla vastuullaan täten, että seuraavat ilmastointilaitteet

UTR-YGCA

to which this declaration relates is in conformity with the following standards:  
 worauf sich diese Konformitätserklärung bezieht, folgenden Richtlinien entspricht:  
 auxquels la présente déclaration s'applique, sont conformes aux normes suivantes:  
 como esta declaración específica, cumplen con las siguientes normas:  
 ai quali si riferisce la presente dichiarazione sono conformi ai seguenti standard:  
 εις τα οποία η παρούσα δήλωση αναφέρεται, είναι προσαρμοσμένα σύμφωνα με τα παρακάτω πρότυπα:  
 waarop deze verklaring van toepassing is, in conformiteit zijn met de volgende normen:  
 till vilka denna deklaration är relaterade, är i överensstämmelse med följande standarder:  
 indicados na declaração estão em conformidade com as normas seguintes:  
 к которым относится данная декларация, соответствуют следующим стандартам:  
 których ta deklaracja dotyczy, spełniają wymagania norm:  
 joihin tämä vaatimustenmukaisuusvakuutus viittaa, vastaavat seuraavia standardeja:

a. EN 60 335-1 d. EN 292-2 g. EN 61 000-3-2 j. EN 61 000-4-4 m. EN 61 000-4-11  
 b. EN 60 335-2-40 e. EN 55 014-1 h. EN 61 000-3-3 k. EN 61 000-4-5  
 c. EN 292-1 f. EN 55 014-2 i. EN 61 000-4-2 l. EN 61 000-4-6

By conforming with the standards, the referenced products follow the provisions of the directives listed below:  
 In Übereinstimmung mit den Standards, erfüllen die obengenannten Produkte den Verordnungen der unten  
 aufgeführten EG-Richtlinien:  
 Par leur conformité aux normes précitées, les appareils de ce type répondent aux exigences des directives suivantes:  
 De acuerdo con estas normas, los productos referenciados cumplen lo estipulado por las directivas listadas a continuación:  
 Od altri documenti normativi conformi alle disposizioni delle direttive sotto elencate:  
 Τα αναφερόμενα μοντέλα, σύμφωνα με τους κανονισμούς, ακολουθούν τις απαιτήσεις ομοεισότητας των κλάσων άρθρων:  
 Överenskomstig de normen, voldoen de betreffende produkten aan de bepalingen van de hieronder vermelde richtlijnen:  
 Genom överensstämmelse med dessa standarder, uppfyller de berörda produkterna föreskrifterna i de direktiv som anges här nedan.  
 Os seguintes produtos referenciados na lista abaixo, estão em conformidade com as normas:  
 Соответствуя указанным стандартам, данные изделия отвечают требованиям ниже перечисленных директив:  
 Poprzez zgodność z w/w normami, wymienione produkty spełniają wymagania dyrektyw wymienionych poniżej:  
 Ollessaan yhdenmukaisia standardien kanssa yllä mainitut tuotteet täyttävät seuraavien EY-direktiivien vaatimukset:

a. EC Council Directive 98/37/EEC  
 b. EC Council Directive 73/23/EEC  
 c. EC Council Directive 89/336/EEC

Place of Issue : F.R. Germany Title of Authority : General Manager  
 Date of Issue : 1. MARCH 2006 Declaration Reference : FUJITSU GENERAL (EURO) GmbH  
 Werftstraße 20, D-40549  
 Authorized by : Signature: KENJI SHIMIZU Düsseldorf, F. R. Germany

FUJITSU GENERAL LIMITED  
 1116, Suenaga, Takatsu-ku, Kawasaki 213-8502, Japan