

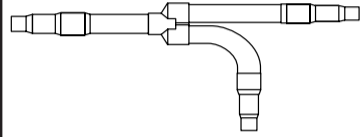
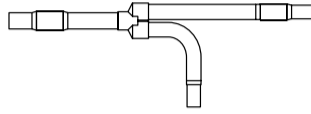
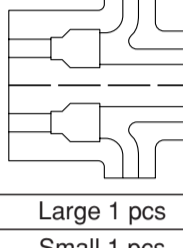

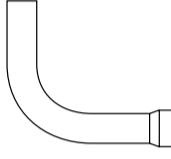
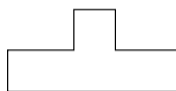


REFRIGERANT BRANCH KIT [CONNECTION PIPE] INSTALLATION INSTRUCTION SHEET

(PART NO. 9379275033)

- This manual describes the "Installation Specifications for Connection Pipe Sets". For the "outdoor unit", refer to the Installation Instruction Sheet supplied with the outdoor unit, and for the "indoor unit", refer to the Installation Instruction Sheet supplied with the indoor unit.
- Please read this Installation Instruction Sheet thoroughly prior to installation, and perform the installation work in accordance with the instructions.
- Before performing the installation work, thoroughly read the "Safety Precautions" in the Installation Instruction Sheet supplied with the outdoor unit, and work accordingly.
- After installing the unit, perform a test run to make sure the unit operates normally. Then, explain to the customer how to operate and maintain the unit in accordance with the Operation Manual (supplied with the indoor unit).
- Hand this Installation Instruction Sheet, together with the Operation Manual, to the customer. Request the customer to keep them on hand.

1

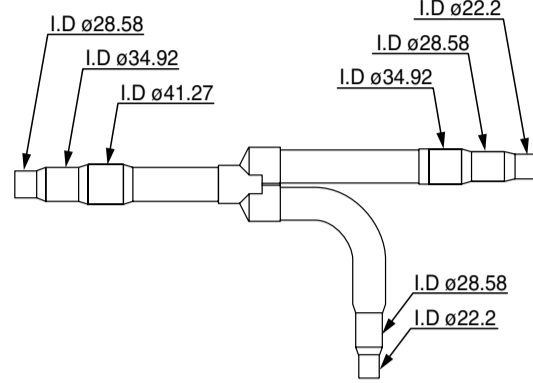
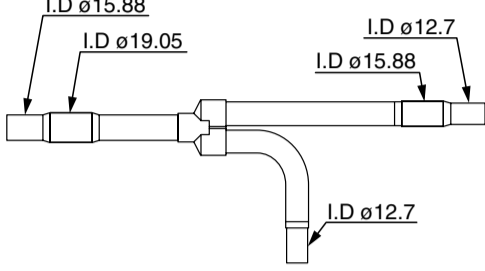
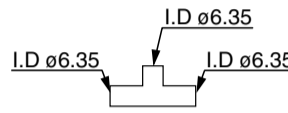
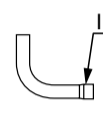
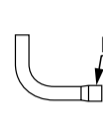
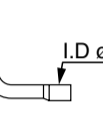
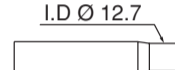
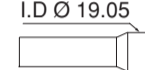
PARTS LIST

Kit Name	Description			
	Gas Pipe	Liquid Pipe	Insulation	Binder
UTR-CP567X				
			Large 1 pcs	Large 3 pcs
			Small 1 pcs	Small 3 pcs
	L-Joint	Oil Pipe	Reducer	Expander
				
			Large 2 pcs Medium 2 pcs Small 2 pcs	

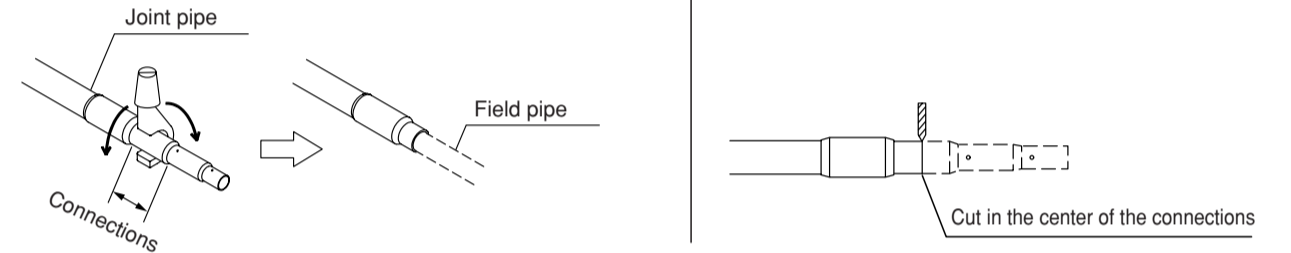
2

INSTALLATION PROCEDURE

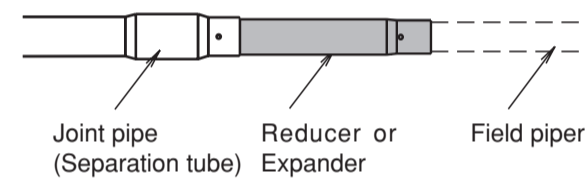
1. The following table shows the sizes of the inlet and outlet pipes of the Connection Pipes.

Kit Name	Description			
	Gas Pipe		Liquid Pipe	
UTR-CP567X				
	Oil Pipe	L JOINT (Large)	L JOINT (Medium)	L JOINT (Small)
				
	Reducer	Expander		
				

2. Select the connections with the pipe diameters that match the selected pipe sizes from the connection pipes, and cut them with a pipe cutter.



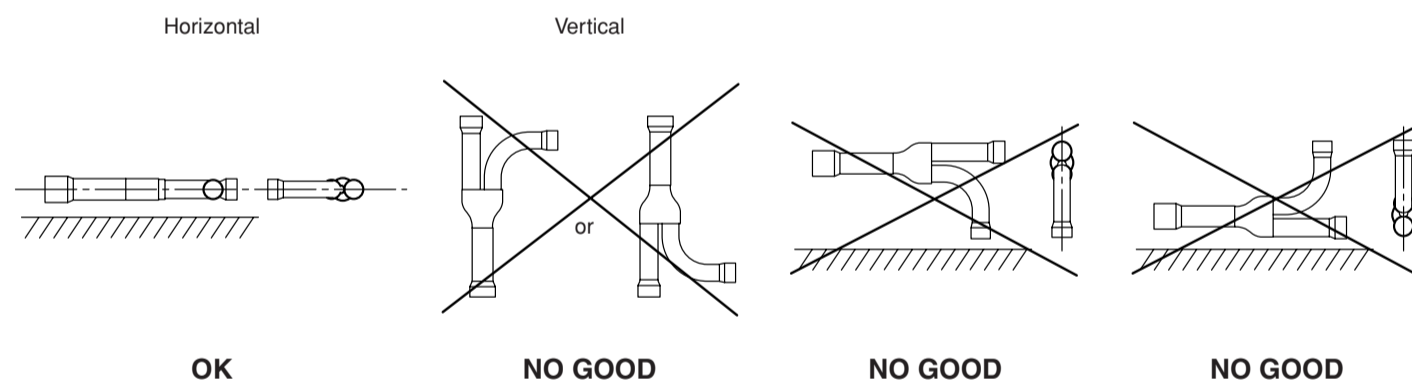
When the pipe size of the separation tube itself does not match, or when piping sizes differ even if it cuts the pipe, use attached Reducer or attached Expander.



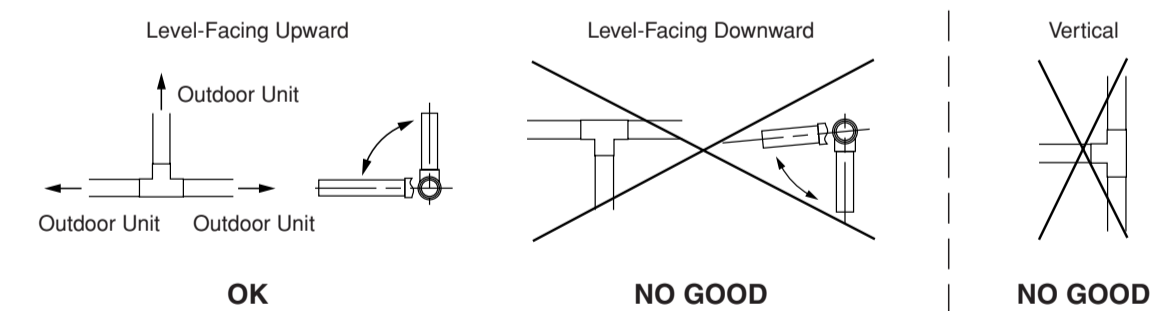
CAUTION

Use a pipe cutter to cut a pipe. Point the pipe downward while deburring so that cutting chips will not enter inside the pipe.

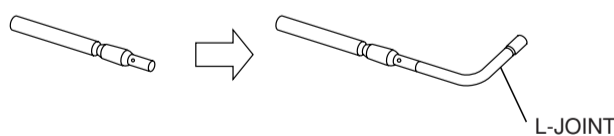
3. Place the connection pipes horizontally so that the refrigerant separates evenly. They cannot be used vertically.



• Place the oil pipe as shown below.

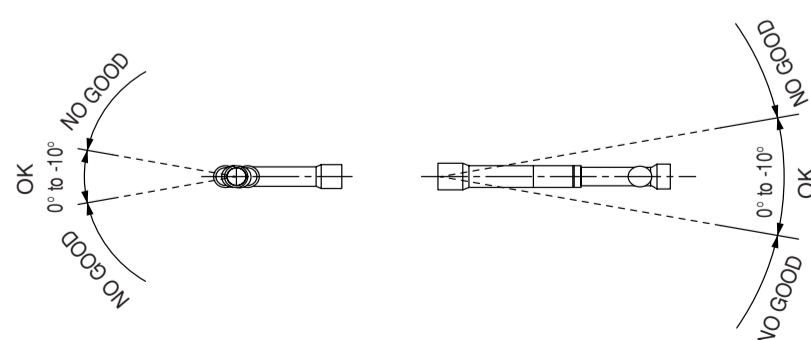


• Use L-joints as necessary (on liquid or gas pipes).



CAUTION

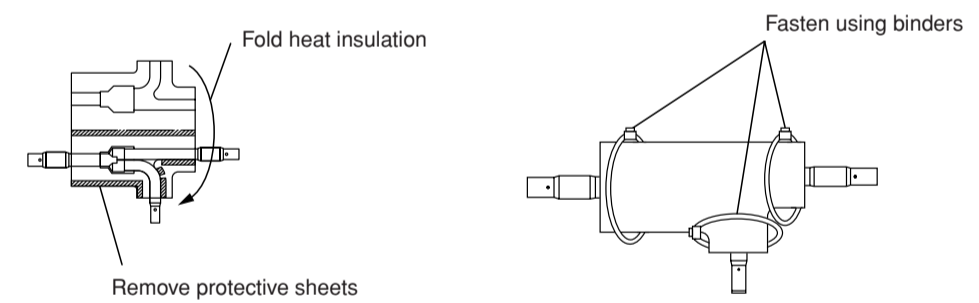
Keep the angle of the connection pipe within 0° to -10°.



- During piping work, apply nitrogen gas while brazing the pipes. If pipes are brazed without applying nitrogen gas, it will create a large amount of oxidation film, which will cause a critical malfunction.
- To prevent moisture or foreign matter from entering during work, do not leave the piping open.
- Refer to the Installation Manual supplied with the outdoor unit for airtightness test and evacuation procedures.

4. After brazing the pipes, use the supplied insulation to insulate them. (on liquid and gas pipes)

- Remove the protective sheet from the double-stick tape that is affixed to the heat insulation.
- Fold the heat insulation and use binders to secure the 3 locations.
- Use tape (locally procured) to seal the seam so that there will be no gap at the junction between the aforementioned heat insulation and the heat insulation on the local piping.



CAUTION

- As with the gas pipes, fully insulate the liquid pipes. Unless they are thermally insulated, water condensation can cause accidents or reduction in performance.
- The heat insulation and the binders that secure the heat insulation can deteriorate after a long time has elapsed since their installation. Tape the exterior of the heat insulation or install a piping cover as a countermeasure against deterioration.