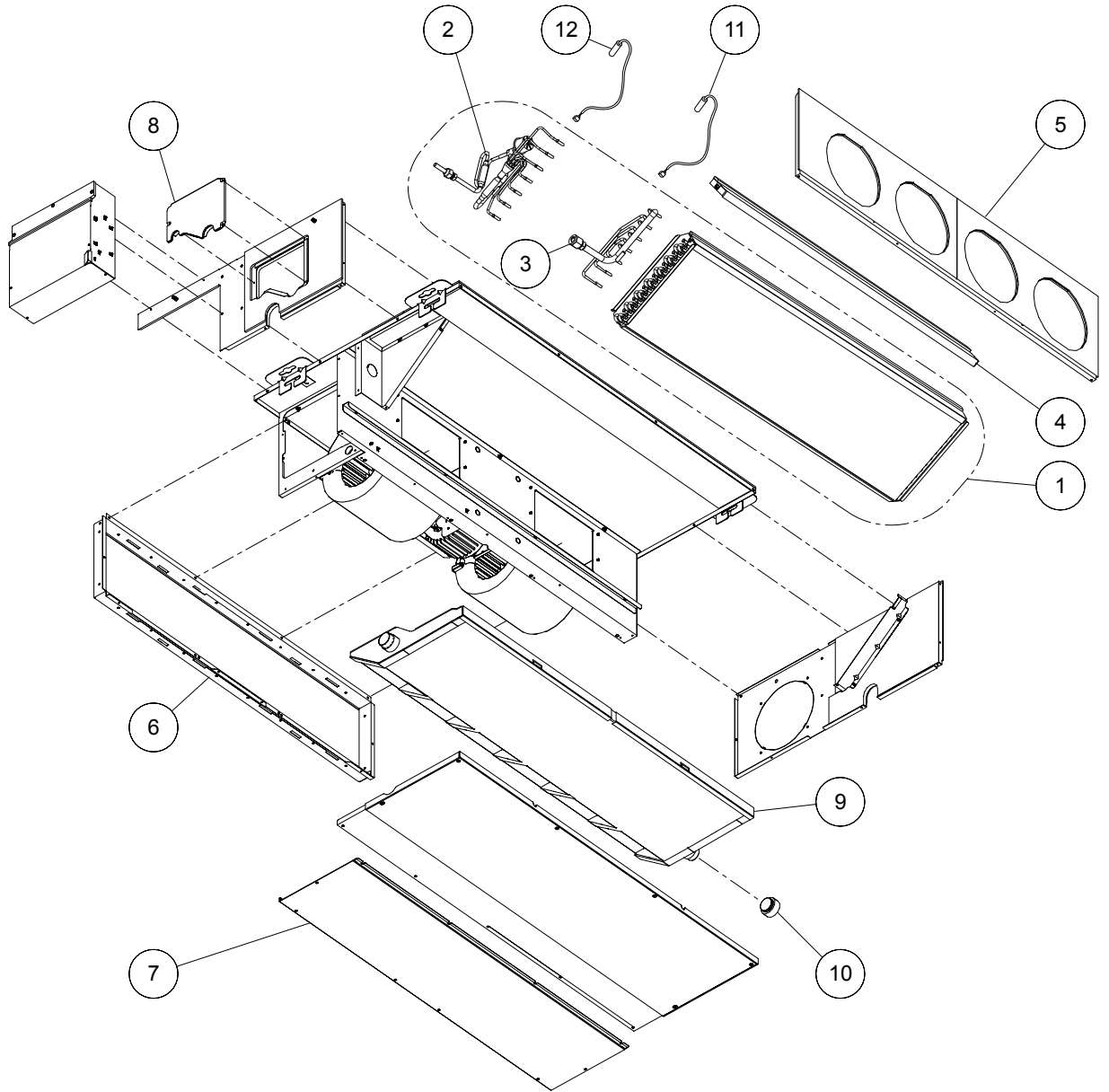
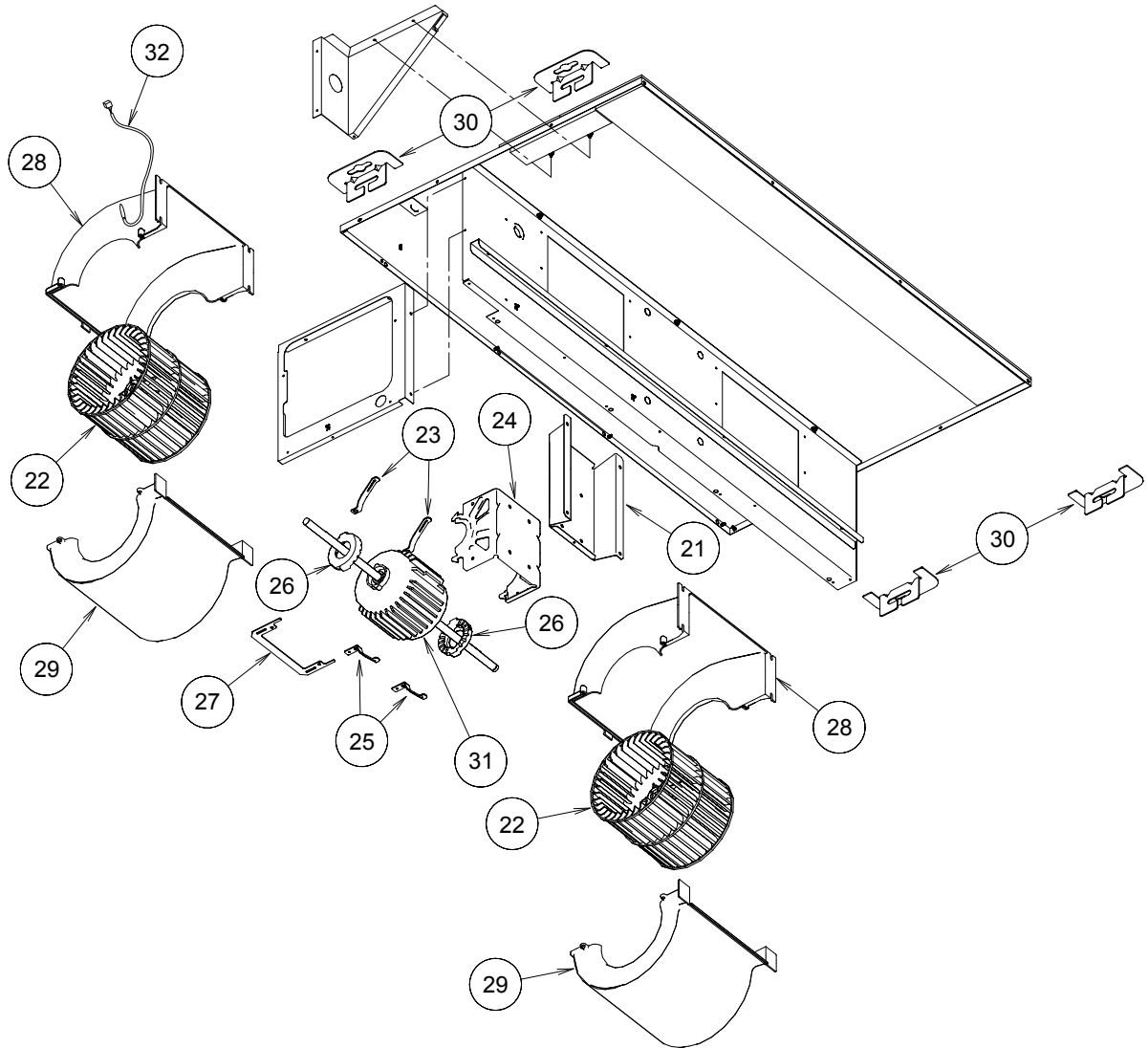


**MODELS : ARXB24/ 30/ 36/ 45GALH
ARXA24/ 30/ 36/ 45GALH**



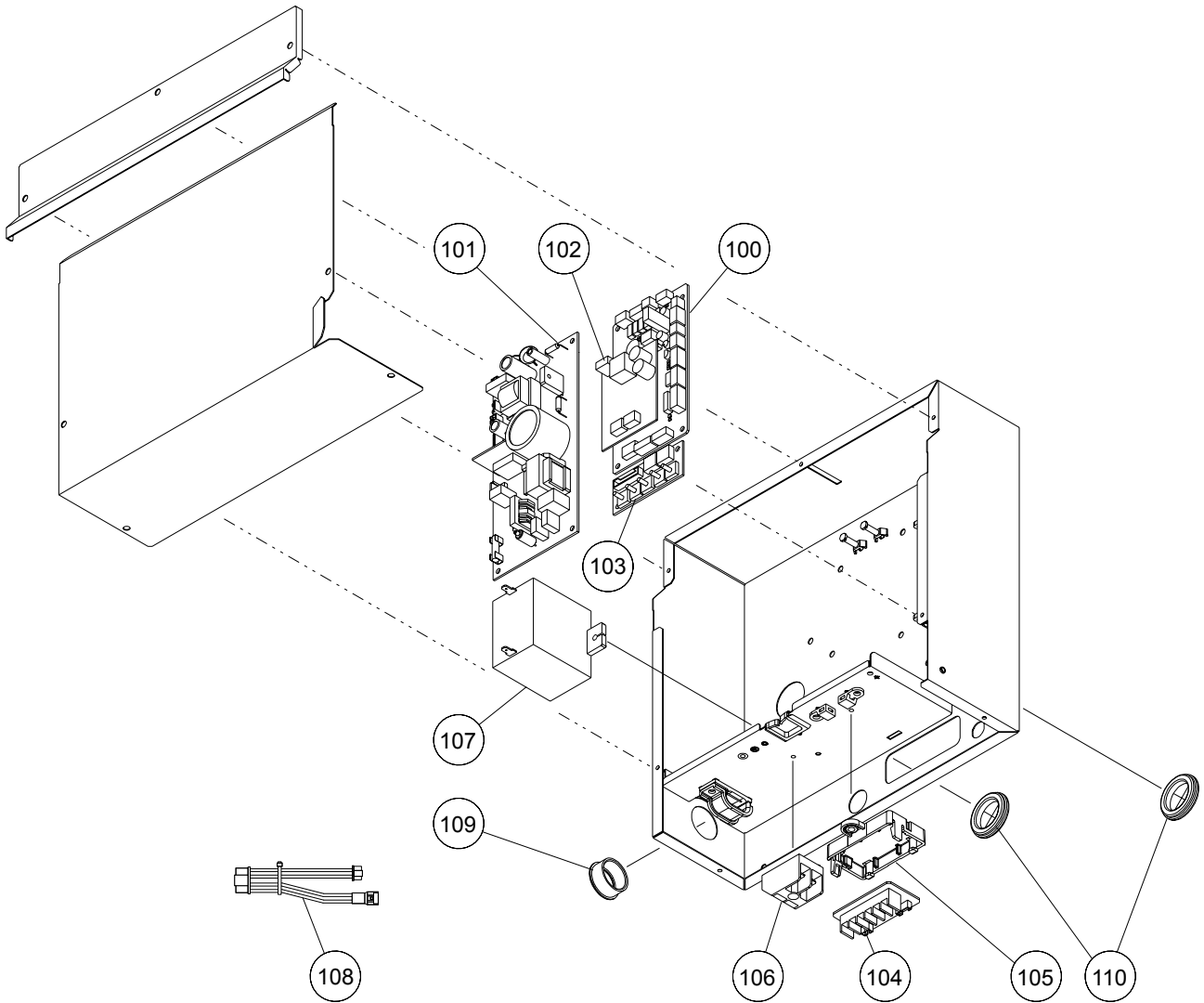
Ref No.	Description	Parts No.								Q'ty
		ARXB24	ARXB30	ARXB36	ARXB45	ARXA24	ARXA30	ARXA36	ARXA45	
1	EVAPORATER TOTAL ASSY	9374517275	9374517237	9374517244	9374517244	9374517275	9374517237	9374517244	9374517244	
2	DISTRIBUTOR ASSY	9380307525	9380307501	9380307518	9380307518	9380307525	9380307501	9380307518	9380307518	
3	COUPLING PIPE ASSY	9371333205	9371333212	9371333168	9371333168	9371333205	9371333212	9371333168	9371333168	
4	SEAL PANEL (EVA) SUB ASSY	9374515011	9374515011	9374515011	9374515011	9374515011	9374515011	9374515011	9374515011	
5	OUTLET PANEL SUB ASSY	9374510016	9374510016	9374510016	9374510016	9374510016	9374510016	9374510016	9374510016	
6	INTAKE FRAME ASSY	9374216017	9374216017	9374216017	9374216017	9374216017	9374216017	9374216017	9374216017	
7	INTAKE COVER SUB ASSY	9374512010	9374512010	9374512010	9374512010	9374512010	9374512010	9374512010	9374512010	
8	BRACKET (PIPE) SUB ASSY	9374514014	9374514014	9374514014	9374514014	9374514014	9374514014	9374514014	9374514014	
9	DRAIN PAN SUB ASSY	9374513017	9374513017	9374513017	9374513017	9374513017	9374513017	9374513017	9374513017	
10	CAP(DRAIN)	9356541007	9356541007	9356541007	9356541007	9356541007	9356541007	9356541007	9356541007	
11	THERMISTOR (PIPE-OUT)	9900497040	9900497040	9900497040	9900497040	9900497040	9900497040	9900497040	9900497040	
12	THERMISTOR (PIPE-IN)	9900509026	9900509026	9900509026	9900509026	9900509026	9900509026	9900509026	9900509026	

**MODELS : ARXB24/ 30/ 36/ 45GALH
ARXA24/ 30/ 36/ 45GALH**



Ref No.	Description	Parts No.								Q'ty
		ARXB24	ARXB30	ARXB36	ARXB45	ARXA24	ARXA30	ARXA36	ARXA45	
21	BRACKET MOTOR ASSY	9374230013	9374230013	9374230013	9374230013	9374230013	9374230013	9374230013	9374230013	
22	SIRROCO FAN ASSY	9356531022	9356531022	9356531022	9356531022	9356531022	9356531022	9356531022	9356531022	
23	MOTOR BAND A ASSY	9374647026	9374647026	9374647026	9374647026	9374647026	9374647026	9374647026	9374647026	
24	MOTOR MOUNT	9374281015	9374281015	9374281015	9374281015	9374281015	9374281015	9374281015	9374281015	
25	MOTOR BAND B	9374648023	9374648023	9374648023	9374648023	9374648023	9374648023	9374648023	9374648023	
26	RUBBER (VIBRATION PROOF)	313659068604	313659068604	313659068604	313659068604	313659068604	313659068604	313659068604	313659068604	
27	RFM (MOTOR BAND)	9374646012	9374646012	9374646012	9374646012	9374646012	9374646012	9374646012	9374646012	
28	CASING A	9374233021	9374233021	9374233021	9374233021	9374233021	9374233021	9374233021	9374233021	
29	CASING B	9374234028	9374234028	9374234028	9374234028	9374234028	9374234028	9374234028	9374234028	
30	HANGER	9356563009	9356563009	9356563009	9356563009	9356563009	9356563009	9356563009	9356563009	
31	MOTOR INDUCTION	9600830116	9600830086	9600830086	9600830093	9600830086	9600830086	9600830093	9600830093	
32	THERMISTOR (ROOM)	9703299018	9703299018	9703299018	9703299018	9703299018	9703299018	9703299018	9703299018	

**MODELS : ARXB24/ 30/ 36/ 45GALH
ARXA24/ 30/ 36/ 45GALH**



Ref No.	Description	Parts No.								Q'ty
		ARXB24	ARXB30	ARXB36	ARXB45	ARXA24	ARXA30	ARXA36	ARXA45	
100	CONTROLLER PCB	9708970097	9708970097	9708970097	9708970097	9708970097	9708970097	9708970097	9708970097	
101	POWER SUPPLY PCB	9708978017	9708978024	9708978024	9708978024	9708978017	9708978024	9708978024	9708978024	
102	COMMUNICATION PCB	9709373019	9709373019	9709373019	9709373019	9709373019	9709373019	9709373019	9709373019	
103	SWITCH PCB	9707732016	9707732016	9707732016	9707732016	9707732016	9707732016	9707732016	9707732016	
104	TERMINAL PCB	9707736014	9707736014	9707736014	9707736014	9707736014	9707736014	9707736014	9707736014	
105	PWB HOLDER B	9378345010	9378345010	9378345010	9378345010	9378345010	9378345010	9378345010	9378345010	
106	TERMINAL 2P	9703873027	9703873027	9703873027	9703873027	9703873027	9703873027	9703873027	9703873027	
107	CAPACITOR (FAN MOTOR)	9900270063	9900270056	9704305053	9700468042	9900444020	9900270162	9700468042	9700468042	
108	THERMISTOR CONNECTION WIRE	9707854022	9707854022	9707854022	9707854022	9707854022	9707854022	9707854022	9707854022	
109	ONE-TOUCH BUSH	9374407019	9374407019	9374407019	9374407019	9374407019	9374407019	9374407019	9374407019	
110	CAP (POWER)	9352173011	9352173011	9352173011	9352173011	9352173011	9352173011	9352173011	9352173011	
-	FUSE 250V 3.15A (POWER PCB F101)	0600376062	0600376062	0600376062	0600376062	0600376062	0600376062	0600376062	0600376062	
-	FUSE HOLDER	0500158072	0500158072	0500158072	0500158072	0500158072	0500158072	0500158072	0500158072	