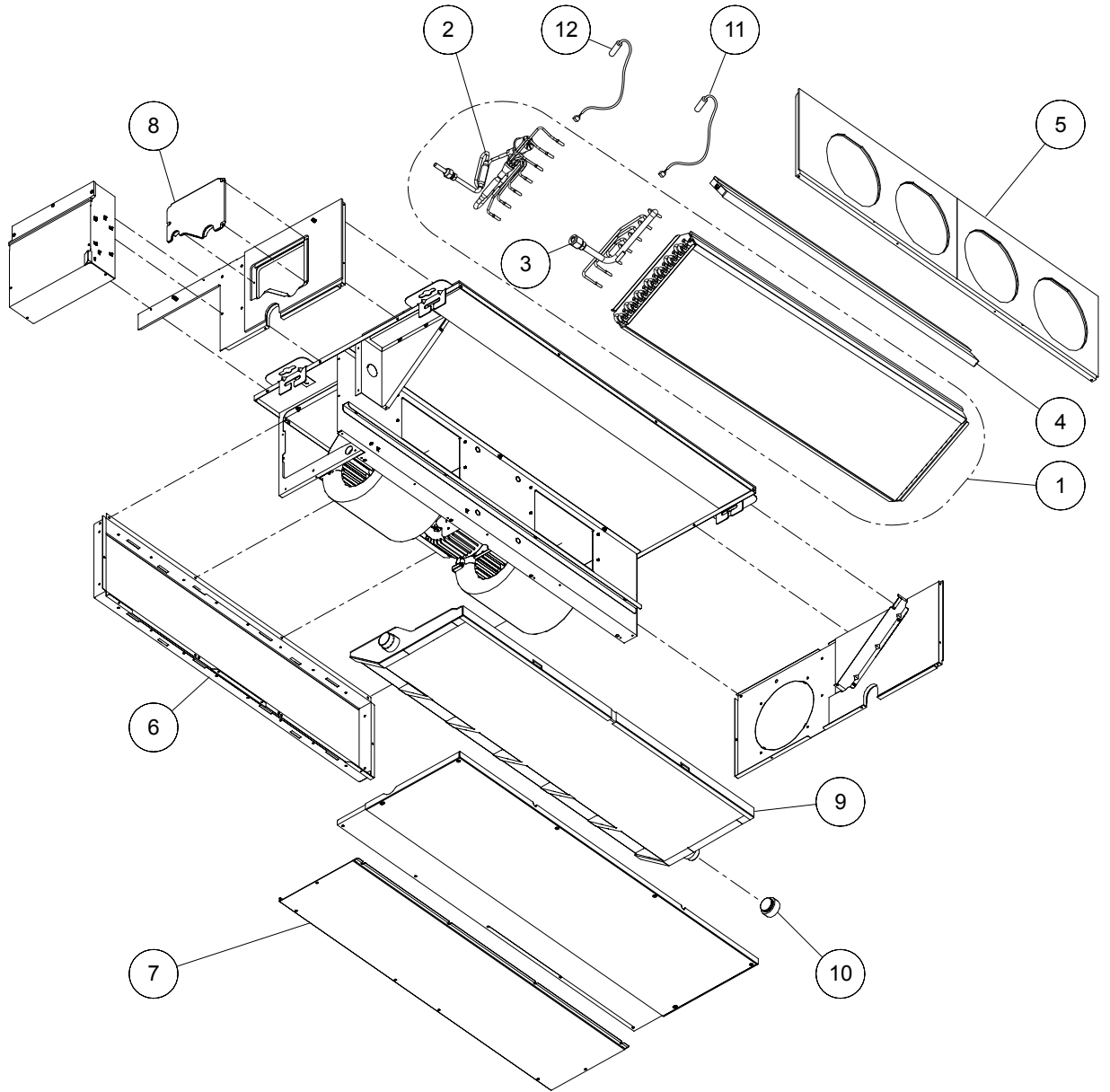
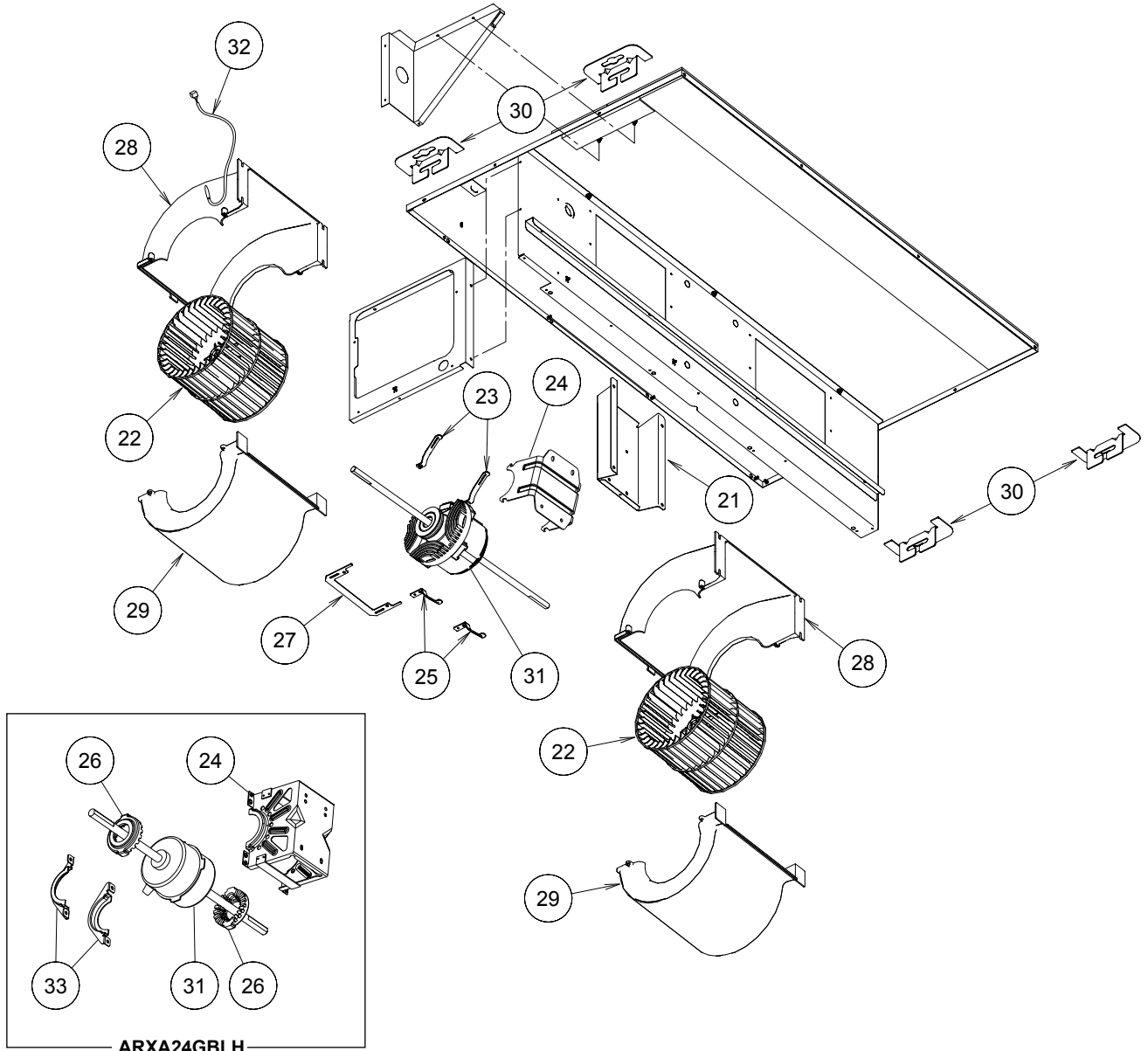


**MODELS : ARXA24/ 30/ 36/ 45GBLH**



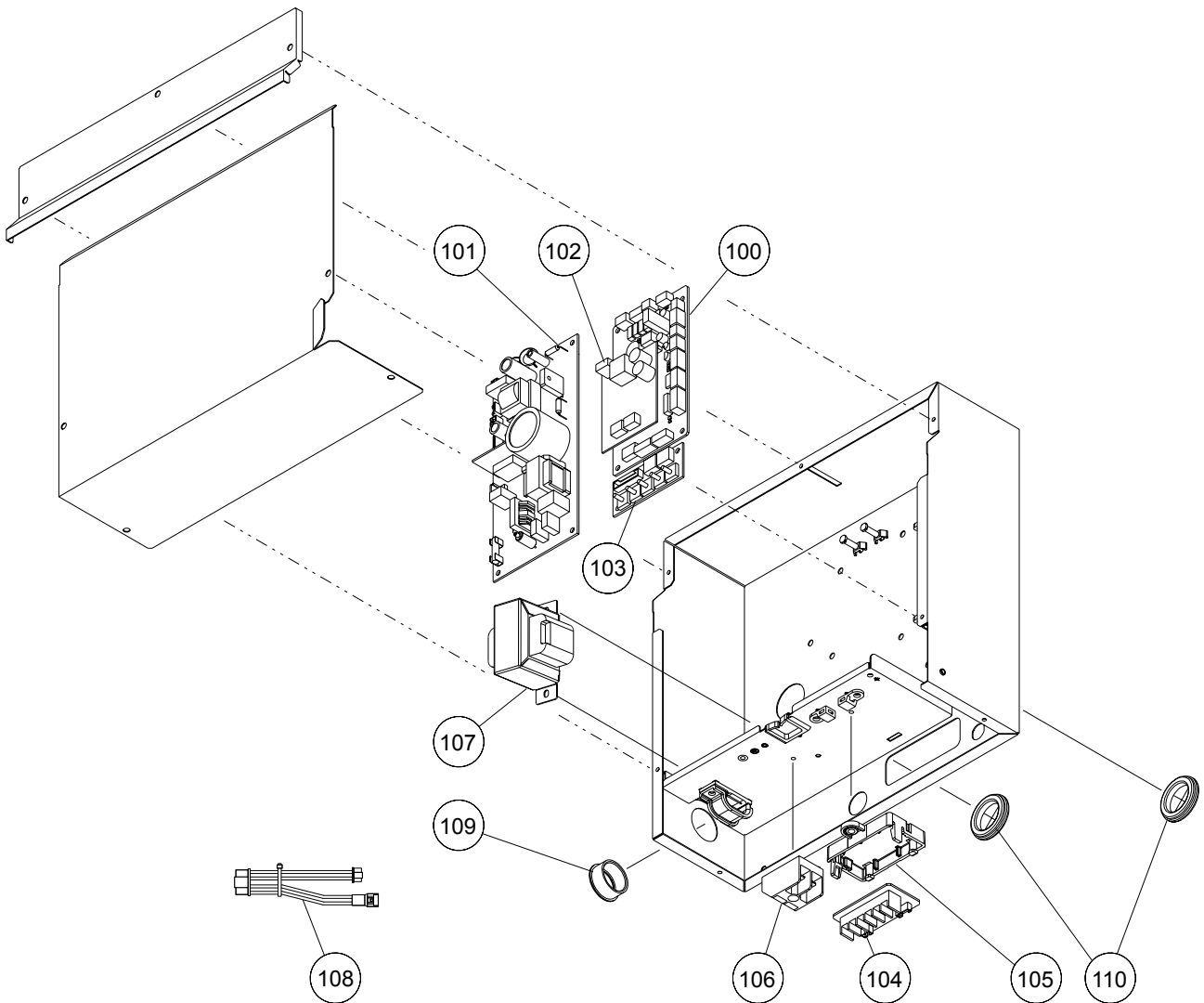
Ref No.	Description	Parts No.				Q'ty
		ARXA24GBLH	ARXA30GBLH	ARXA36GBLH	ARXA45GBLH	
1	EVAPORATER TOTAL ASSY	9374517275	9374517237	9374517244	9374517244	
2	DISTRIBUTOR ASSY	9380307525	9380307501	9380307518	9380307518	
3	COUPLING PIPE ASSY	9371333205	9371333212	9371333168	9371333168	
4	SEAL PANEL (EVA) SUB ASSY	9374515011	9374515011	9374515011	9374515011	
5	OUTLET PANEL SUB ASSY	9374510016	9374510016	9374510016	9374510016	
6	INTAKE FRAME ASSY	9374216017	9374216017	9374216017	9374216017	
7	INTAKE COVER SUB ASSY	9374512010	9374512010	9374512010	9374512010	
8	BRACKET (PIPE) SUB ASSY	9374514014	9374514014	9374514014	9374514014	
9	DRAIN PAN SUB ASSY	9374513017	9374513017	9374513017	9374513017	
10	CAP(DRAIN)	9356541007	9356541007	9356541007	9356541007	
11	THERMISTOR (PIPE-OUT)	9900497040	9900497040	9900497040	9900497040	
12	THERMISTOR (PIPE-IN)	9900509026	9900509026	9900509026	9900509026	

**MODELS : ARXA24/ 30/ 36/ 45GBLH**



Ref No.	Description	Parts No.				Q'ty
		ARXA24GBLH	ARXA30GBLH	ARXA36GBLH	ARXA45GBLH	
21	BRACKET MOTOR ASSY	9374230020	9374230013	9374230013	9374230013	
22	SIRROCO FAN ASSY	9356531060	9356531046	9356531046	9356531046	
23	MOTOR BAND ASSY	_____	9378033023	9378033023	9378033023	
24	MOTOR MOUNT	9358591000	9378002012	9378002012	9378002012	
25	MOTOR BAND	_____	9378031012	9378031012	9378031012	
26	RUBBER (VIBRATION PROOF)	9385102002	_____	_____	_____	
27	RFM (MOTOR BAND)	_____	9378003019	9378003019	9378003019	
28	CASING A	9374233021	9374233021	9374233021	9374233021	
29	CASING B	9374234028	9374234028	9374234028	9374234028	
30	HANGER	9356563009	9356563009	9356563009	9356563009	
31	FAN MOTOR	9602433025	9603213015	9603213015	9603213015	
32	THERMISTOR (ROOM)	9703299018	9703299018	9703299018	9703299018	
33	BRACKET (MOTOR)	9358594001	_____	_____	_____	

**MODELS : ARXA24/ 30/ 36/ 45GBLH**



Ref No.	Description	Parts No.				Q'ty
		ARXA24GBLH	ARXA30GBLH	ARXA36GBLH	ARXA45GBLH	
100	CONTROLLER PCB	9708970172	9708970165	9708970165	9708970165	
101	POWER SUPPLY PCB	9708975030	9708975047	9708975047	9708975047	
102	COMMUNICATION PCB	9709373019	9709373019	9709373019	9709373019	
103	SWITCH PCB	9707732016	9707732016	9707732016	9707732016	
104	TERMINAL PCB	9707736014	9707736014	9707736014	9707736014	
105	PWB HOLDER B	9378345010	9378345010	9378345010	9378345010	
106	TERMINAL 2P	9703873027	9703873027	9703873027	9703873027	
107	REACTOR ASSY	9707457018	9707457018	9707457018	9707457018	
108	THERMISTOR CONNECTION WIRE	9707854022	9707854022	9707854022	9707854022	
109	ONE-TOUCH BUSH	9374407019	9374407019	9374407019	9374407019	
110	CAP (POWER)	9352173011	9352173011	9352173011	9352173011	
-	FUSE 250V 5A (POWER PCB F101)	0600424022	0600424022	0600424022	0600424022	